

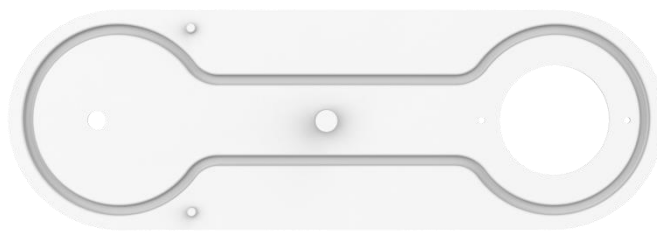
Multifunctional Bracket

VB03

Milesight

◆ Description

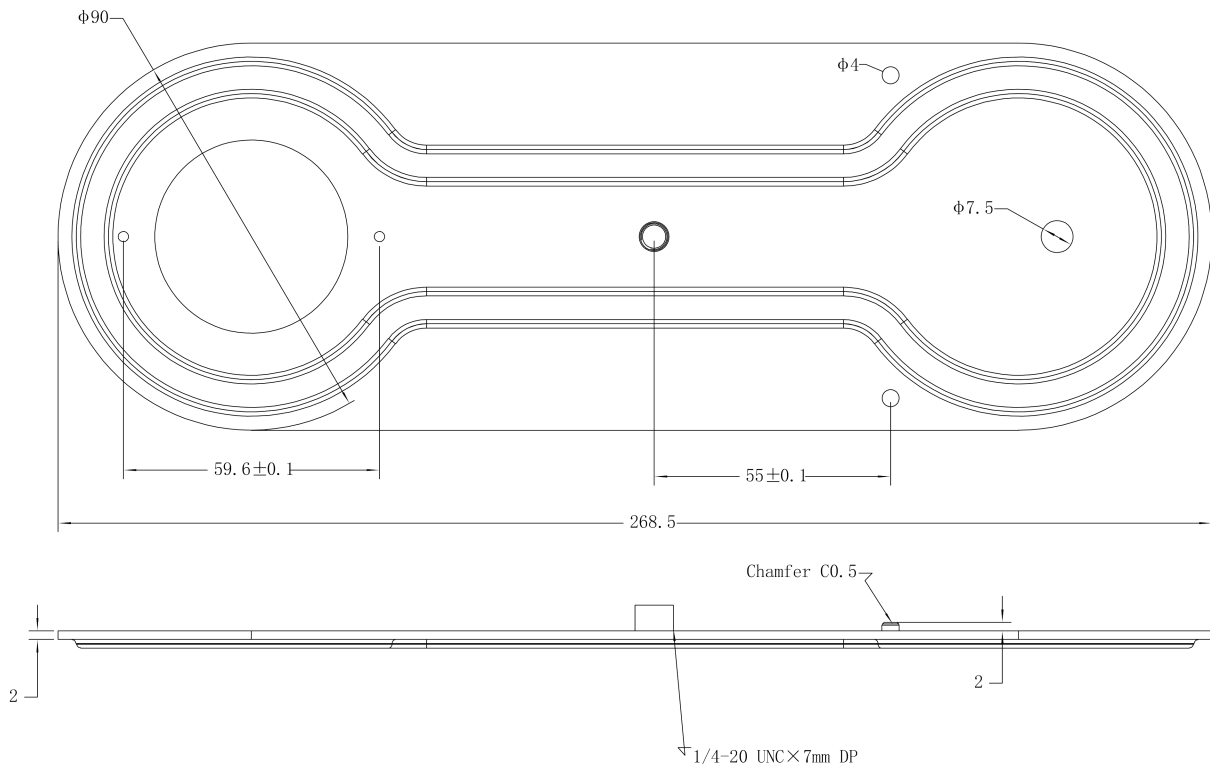
- Adapter bracket for integrating VA05-A with VS devices
- Supports flexible ceiling and lintel mounting
- Extends VS deployment height for challenging installation environments
- Compatible with VB01 and VB02 accessories



◆ Specifications

Technical Data	
Applicable Models	VS125, VS125-LW
Material	Stainless Steel 304
Color	White / Black
Weight	331 g
Included	1 × L-shaped screwdriver, 1 × Hex socket screw, 2 × Mounting Screws

◆ Dimensions (mm)



◆ How To Install

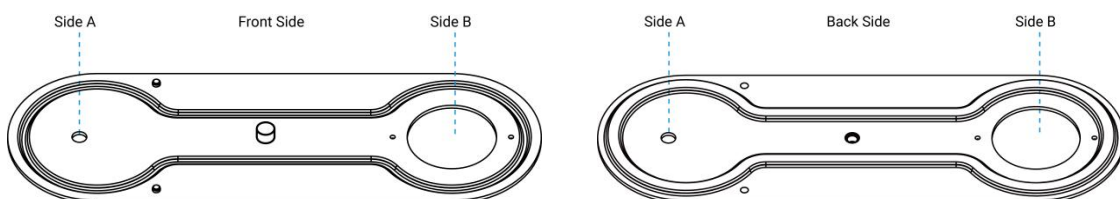
VB03 is designed for integrating VA05-A and VS devices. It can be used with VB01 or VB02 for different mounting scenarios.

For more details about VA05-A, refer to [VA05 User Guide](#). For additional information regarding the applications of VB accessories, refer to [People Counters Accessories](#).

Installation Overview

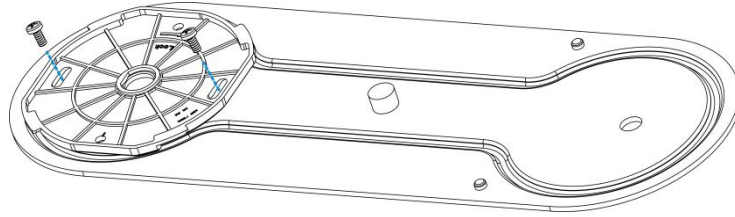
Step 1: Identify the Two Sides of VB03

1. Determine which side is Side A and which is Side B.
2. Side A is used to mount the VS device. Side B is used to mount the VA05-A.

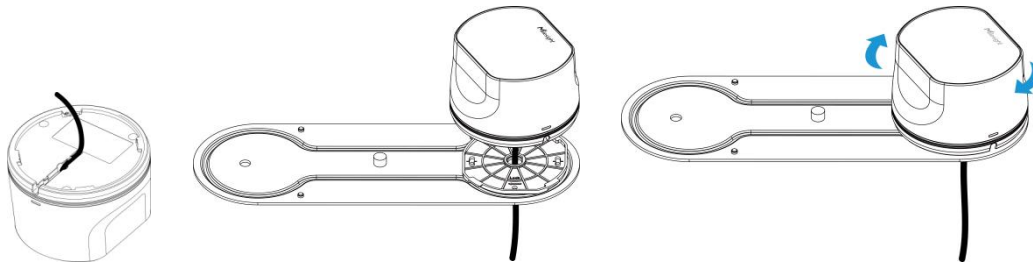


Step 2: Install the VA05-A on VB03

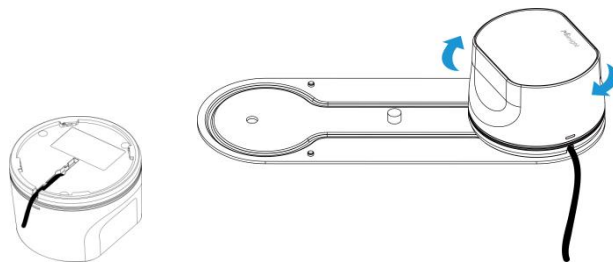
1. Mount the VA05-A mounting bracket to Side B and secure it with screws.



2. Attach the VA05-A to the mounting bracket. Select either the bottom or side cable exit as needed.



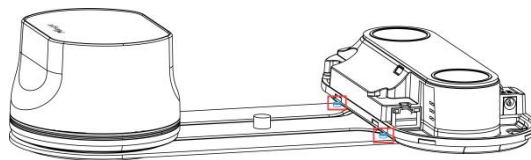
Bottom Cable Exit



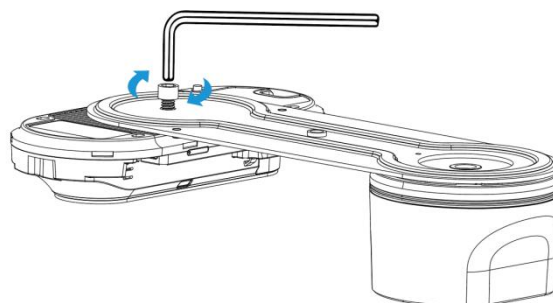
Side Cable Exit

Step 3: Install the VS Device on VB03

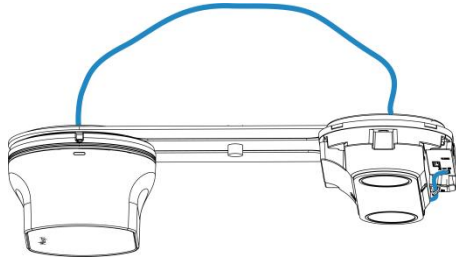
1. Align the VS device with the two protrusions on side A and secure it using hex socket screws.



2. Tighten the hex socket screw using the provided L-shaped screwdriver.



3. Connect the cable from the VA05-A to the VS device.



The following sections describe the installation procedures for VB03 used with VB01 or VB02. If using VB01, refer to "[Installation with VB01.](#)" If using VB02, refer to "[Installation with VB02.](#)"

Installation With VB01

VB01 + VB03 are designed for extended ceiling or lintel mounting scenarios. VB01 supports adjustable extension length, making it suitable for high ceilings or installations requiring extended deployment distance. The following section describes how to install VB03 with VB01.

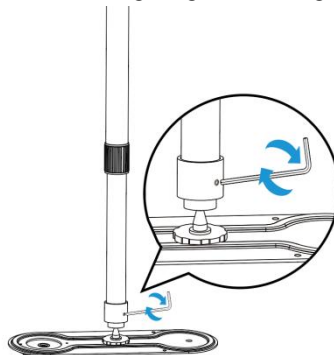
Step 4: Attach VB01 Extension Pole

Attach the VB01 extension pole and secure it to VB03 using the designated mounting hole.

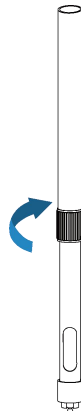


Step 5: Adjust VB01 Length and Angle

1. Adjust the 3-axis ball head to the desired viewing angle, then tighten the screw to secure it.

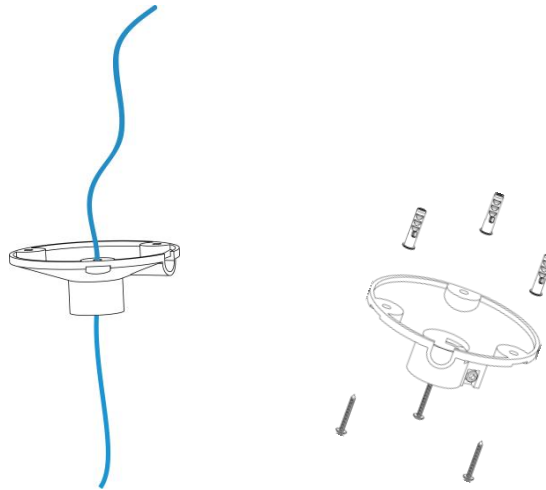


2. Loosen the knob, adjust the pole to the desired length, and then tighten the knob to lock it in place.



Step 6: Install VB01 Mounting Base

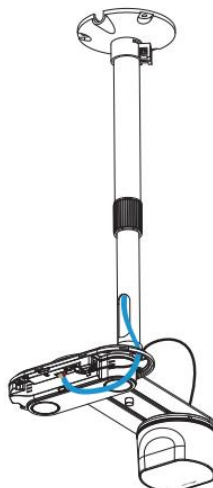
1. Determine the mounting location and drill three holes for the wall plugs.
2. Attach the VB01 mounting base to the ceiling, route the cables from the VS device through the base, then secure it with expansion bolts and screws.



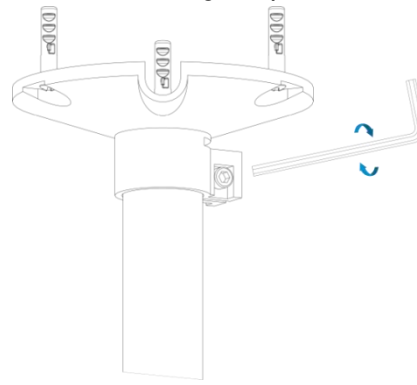
Note: If the wire needs to be extended to the interior of the ceiling or wall, a wire hole with a suitable size is also required to be drilled.

Step 7: Connect Cables

1. Connect the VB01 extension pole to the mounting base.
2. Connect all necessary cables to the corresponding ports of the VS device.

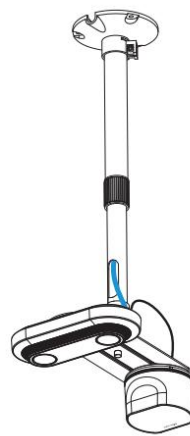


- Secure the extension pole to the bracket base using the provided L-shaped screwdriver.



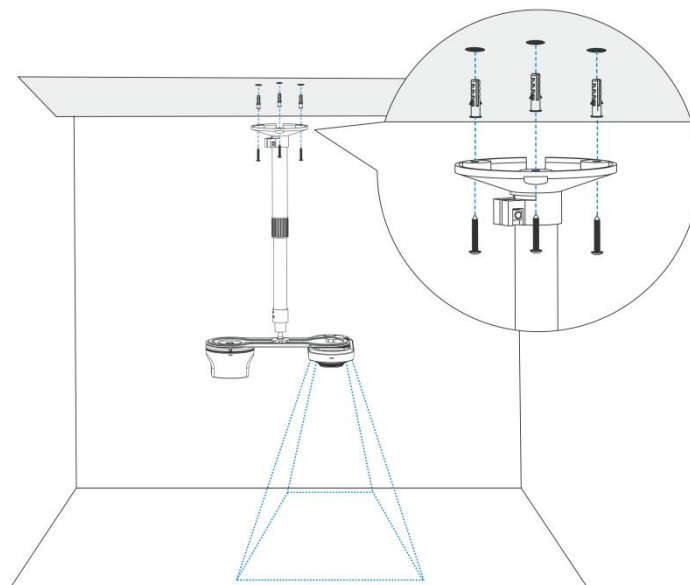
Step 8: Final Installed View

Close the VS device cover to complete the installation.

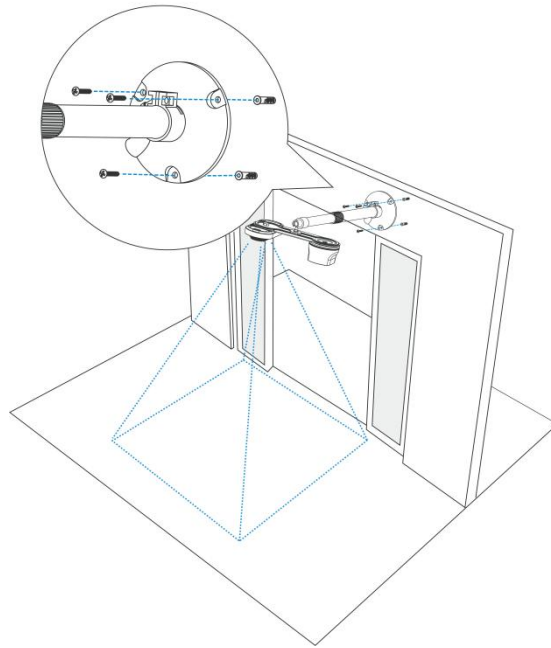


Installation Examples

Ceiling Mount:



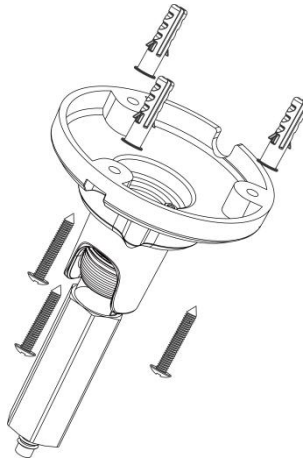
Lintel Mount:



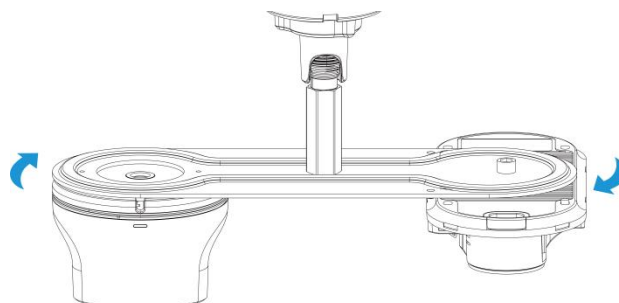
Installation With VB02

VB02 + VB03 are designed for ceiling or lintel mounting scenarios with adjustable viewing angles. VB02 supports flexible angle adjustment, making it suitable for installations requiring precise device orientation. The following section describes how to install VB03 with VB02.

Step 4: Determine the mounting location and drill three holes, insert the wall plugs into the mounting holes, then secure the bracket to the wall plugs using mounting screws.

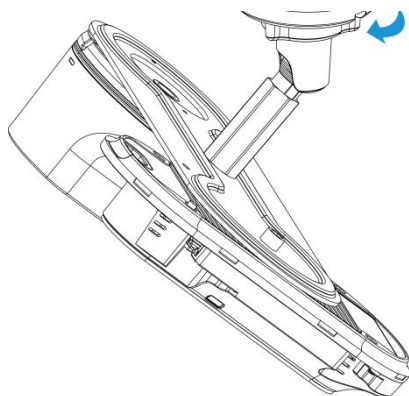


Step 5: Mount VB03 onto VB02 via the designated mounting hole and tighten it clockwise.



Step 6: Gently rotate the black knob in the direction shown to loosen it, then adjust the direction of 3-axis

ball.



Step 7: After the installation angle is set, tighten the knob in the direction shown to secure the device, then close the VS device cover.

