

Pole Mount Adapter Bracket

VB04

Milesight

◆ Description

- Aluminum construction with a rust-proof design
- Suitable for industrial and coastal applications
- Secured using two adjustable stainless steel straps
- Compatible with pole diameters from 10 mm to 130 mm
- Compatible with VB01 and VB02

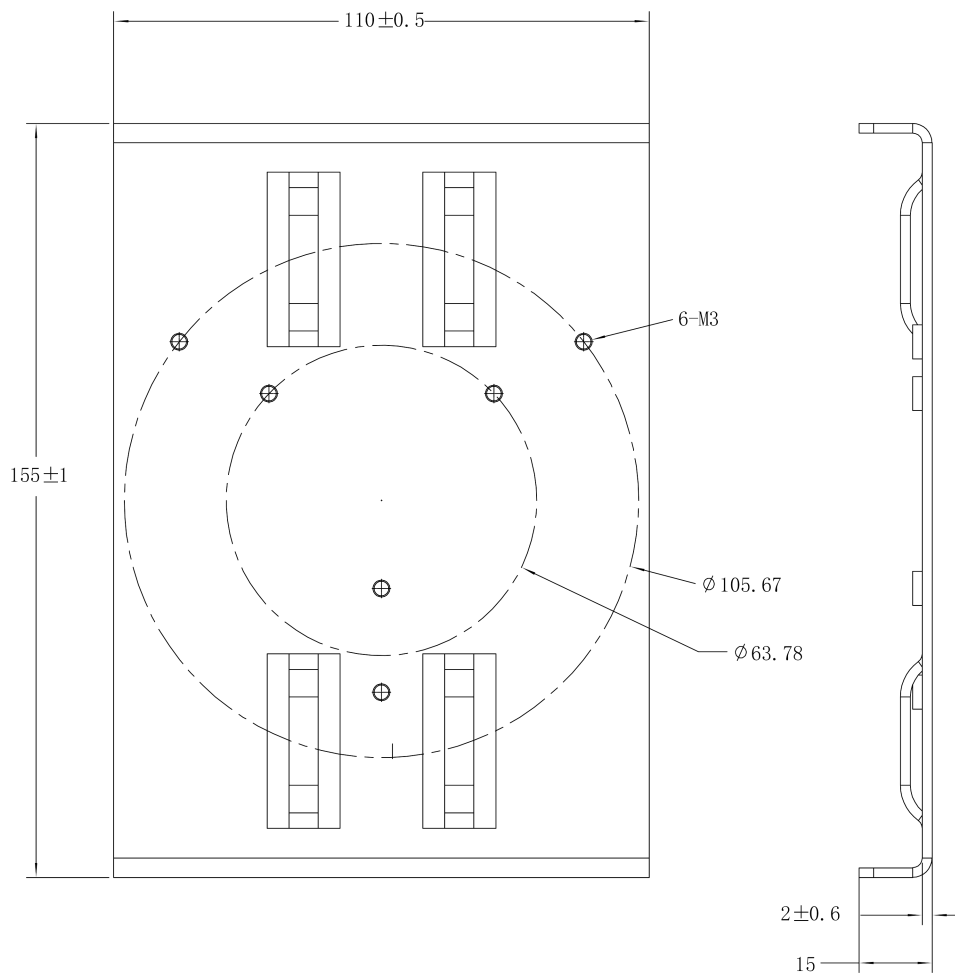


◆ Specifications

Technical Data	
Applicable Models	VB01, VB02
Material	Aluminum
Corrosion Protection	C4 (ISO 12944)

Operating Temperature	-40°C - 70°C
Color	White
Weight	281.6 g
Included	3 × Small Washer Assembled Screws 2 × Adjustable Pole Mounting Straps (Stainless Steel 304, Φ10 mm - 130 mm)
Installation	Pole Mounting

◆ Dimensions (mm)



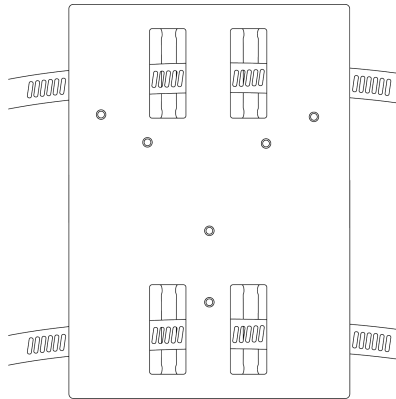
◆ How To Install

VB04 must be used together with a VB01 or VB02 to mount VS devices.

VB01 supports extended pole mounting, while VB02 supports adjustable viewing angle mounting.

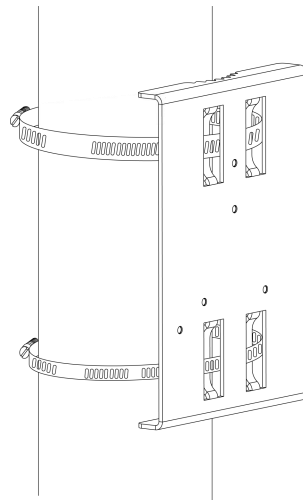
Step 1: Thread the Pole Mounting Straps

Insert the two Adjustable Pole Mounting Straps through the dedicated mounting slots on the adapter bracket. Ensure the straps are straight, untwisted, and fully seated in the slots.



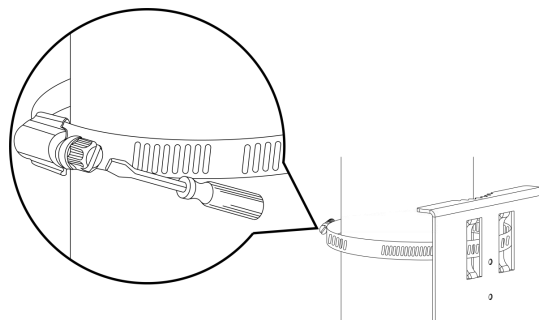
Step 2: Position the Adapter Bracket on the Pole

Place the adapter bracket against the target installation position on the support structure (e.g., a vertical pole, column or beam). Wrap both straps around the pole in a full loop, keeping the adapter bracket level and aligned.



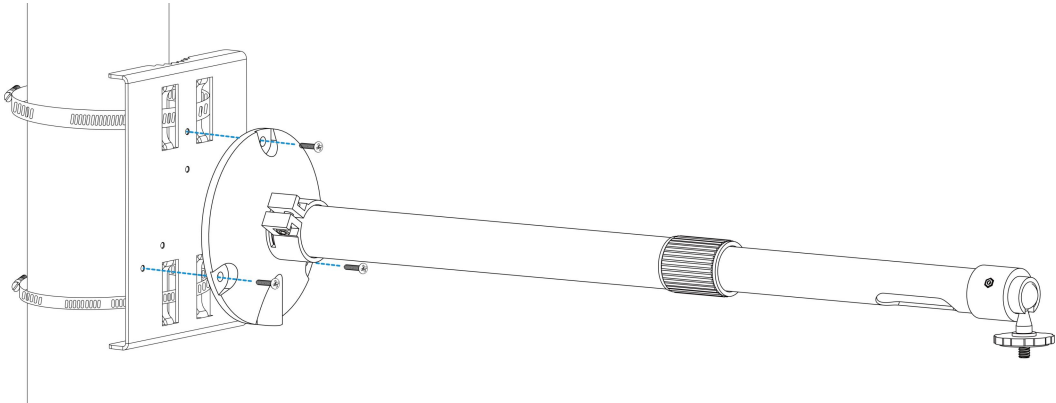
Step 3: Secure the Pole Mounting Straps

Use a flathead screwdriver to tighten the locks on the Adjustable Pole Mounting Straps evenly. Keep the adapter bracket stable while tightening until it is securely fixed to the pole without movement.

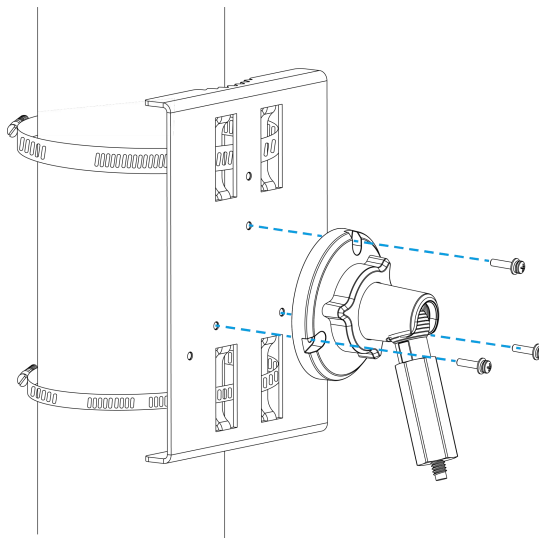


Step 4: Mount the VB01/VB02

Align the VB01/VB02 with the mounting holes on the VB04 adapter bracket. Fasten it using the provided Small Washer Assembled Screws, then tighten each screw evenly with a screwdriver.



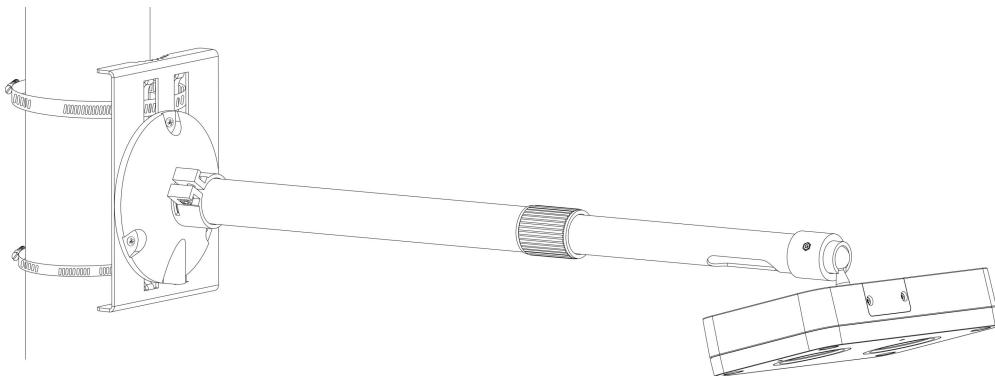
Mount the VB01



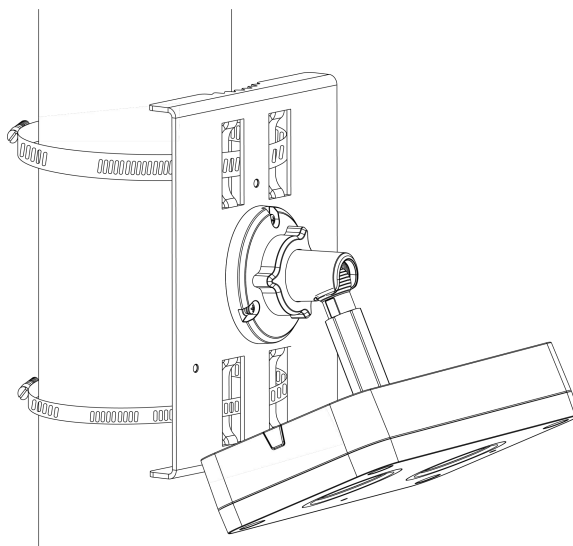
Mount the VB02

Step 5: Final Installed View

Install the VS device to complete the installation.



VB04+VB01



VB04+VB02

