

Milesight

AI Motorized Bullet Network Camera

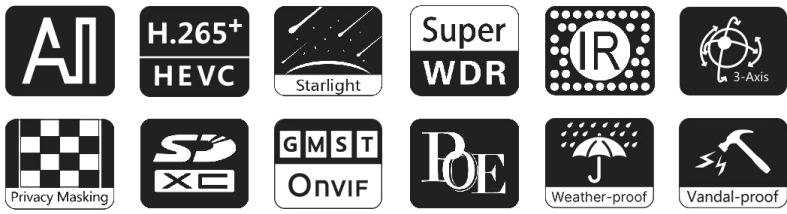


IP67 + IK10

Motorized Lens



DATASHEET



- ▶ NDA A Compliance (The fully NDA A-compliant products are well suited for government, defense and a range of projects subject to the NDA A.)
- ▶ Smart IR II (Combining the High Beam and Low Beam to adjust IR intensity to fit different lighting conditions.)
- ▶ 140dB Super WDR (Excellent performance even when the ratio of the luminosity of brightest and darkest is up to 140dB.)
- ▶ Advanced Functions (Boasting to support various advanced functions such as HLC, ROI.)
- ▶ 1TB (Supporting ultra-large external microSD/SDHC/SDXC card storage up to 1TB.)
- ▶ Adjustable 3-Axis Bracket (Providing a robust mounting platform for angle adjustments on a 3-axis plane.)
- ▶ Smart Stream (Bandwidth, storage and bit rate are saved with Smart Stream On, eg, H.265+ saves 70%~80% bandwidth that of H.264.)

AI Video Analytics

- 8 intelligent VCA modes powered by AI engine, which can intelligently filter objects to focus on human and vehicle detection.
- Object Counting technology provides high accuracy and real-time data based on AI algorithm with statistic reports, optionally human and vehicle.
- Face Detection function detects human faces in the monitoring scene and captures the snapshots, which greatly enhances the monitoring efficiency.



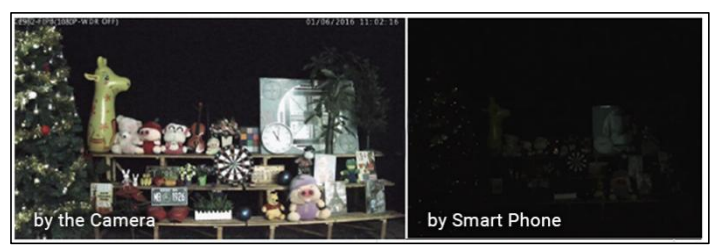
30fps@4K

Providing 4K HD resolution with frame rate of 30fps, the camera performs well in catching detailed image regardless of the moving speed.



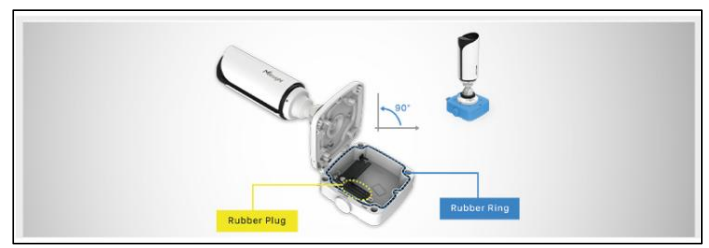
0.005Lux Ultra Low-light

The starlight camera is able to deliver high detailed color images even in low light environment reaching 0.005Lux(Color) or 0Lux(B/W), and near infrared light environments without any supplementary lighting.



Integrated Junction Box

The well-designed integrated Junction Box especially the Clamshell structure ensures efficient and simple installation. It enlarges the space to make cable connection neat and as easy as a piece of cake.



AI Motorized Bullet Network Camera



	Model	MS-C2964-R(T)F(I)PE (2MP)	MS-C5364-F(I)PE (5MP)	MS-C8164-F(I)PE (4K)
Camera	Image Sensor	1/2.8" Progressive Scan CMOS		
	Min. Illumination	Color: 0.005Lux@F1.4 B/W: 0Lux with IR on	Color: 0.008Lux@F1.4 B/W: 0Lux with IR on	Color: 0.012Lux@F1.4 B/W: 0Lux with IR on
	WDR	140dB Super WDR		
	Shutter Time	1/100000s~1s		
	DORI Distance	D: 44~194m O: 17~80m R: 8~39.5m I: 3~19.5m	D: 66~190m O: 26.5~73.5m R: 14~40.5m I: 7~19.5m	D: 90.5~388m O: 35~159.5m R: 17~78.5m I: 8~39.5m
	IR Distance	Up to 50m		
	Day/Night Mode	Day/Night/Auto/Customize/Schedule		
	S/N	>55dB		
Lens	Lens	Motorized 2.7~13.5mm/7~22mm@F1.4 P-Iris (Optional)		Motorized 2.7~13.5mm@F1.4 P-Iris (Optional)
	Field of View	H111°~H34°/D130°~D39°/V60°~V19° (2.7~13.5mm) H42°~H17°/D48°~D19°/V24°~V9° (7~22mm)	H99°~H31°/D124°~D38°/V72°~V23° (2.7~13.5mm) H37°~H15°/D46°~D19°/V28°~V11° (7~22mm)	H107°~H33°/D125°~D37° /V58°~V18°
	Mount	Φ14		
	Focus Control	Auto/Manual		
	Iris Control (Optional for I Series)	Auto/Manual		
Video	Max. Image Resolution	1920x1080	2592x1944	3840x2160
	Primary Stream	60Hz: 90fps@(1920x1080)(Optional for T Series) , 60fps@(1920x1080, 1280x960, 1280x720, 704x576) 50Hz: 90fps@(1920x1080)(Optional for T Series) , 50fps@(1920x1080, 1280x960, 1280x720, 704x576)	60Hz: 30fps@(2592x1944, 2592x1520), 45fps@(2048x1536), 60fps@(1920x1080, 1280x960, 1280x720) 50Hz: 25fps@(2592x1944, 2592x1520), 45fps@(2048x1536), 50fps@(1920x1080, 1280x960, 1280x720)	60Hz: 30fps@(3840x2160, 3072x2048, 2592x1944, 2592x1520, 2048x1536, 1920x1080, 1280x960, 1280x720, 704x576) 50Hz: 25fps@(3840x2160, 3072x2048, 2592x1944, 2592x1520, 2048x1536, 1920x1080, 1280x960, 1280x720, 704x576)
	Secondary Stream	60Hz: 60fps@(704x576, 640x480, 640x360, 352x288, 320x240) 50Hz: 50fps@(704x576, 640x480, 640x360, 352x288, 320x240)	60Hz: 30fps@(704x576, 640x480, 640x360, 352x288, 320x240) 50Hz: 25fps@(704x576, 640x480, 640x360, 352x288, 320x240)	

AI Motorized Bullet Network Camera



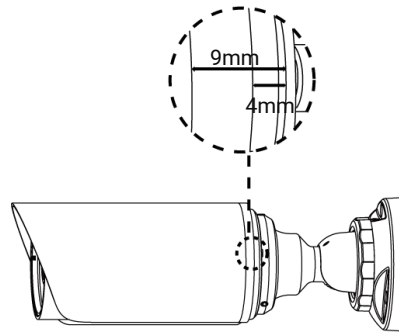
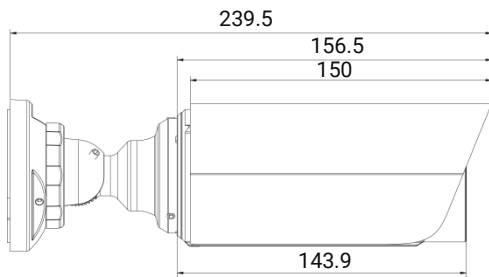
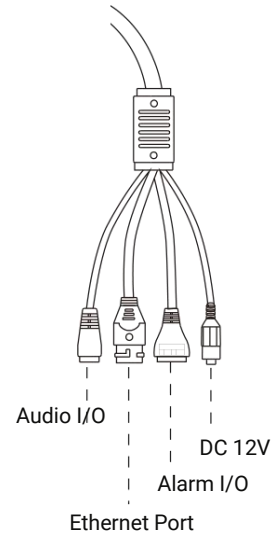
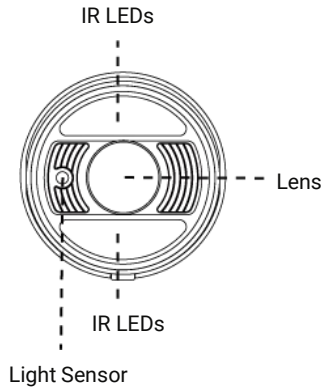
Video	Tertiary Stream	60Hz: 30fps@(1920x1080, 1280x720, 704x576, 640x480, 640x360, 320x240) 50Hz: 25fps@(1920x1080, 1280x720, 704x576, 640x480, 640x360, 320x240)	60Hz: 30fps@(2048x1536, 1920x1080, 1600x1200, 1280x720, 704x576, 640x480, 640x360, 320x240) 50Hz: 25fps@(2048x1536, 1920x1080, 1600x1200, 1280x720, 704x576, 640x480, 640x360, 320x240)	60Hz: 30fps@(1920x1080, 1280x720, 704x576, 640x480, 640x360, 320x240) 50Hz: 25fps@(1920x1080, 1280x720, 704x576, 640x480, 640x360, 320x240)
	Video Compression	H.265+/H.265(HEVC)/H.264+/H.264/MJPEG		
	Video Bit Rate	16Kbps~16Mbps (CBR/VBR Adjustable)		
Image	Privacy Masking	Up to 8 Areas (Mask Area and Mosaic Area are optional)		
	ROI	Up to 8 areas		
	Image Setting	Brightness/Contrast/Saturation/Sharpness		
	Image Enhancement	BLC, HLC, 2D DNR, 3D DNR, AGC, Defog, AWB, Deblur, Anti-flicker, Corridor Mode, LDC		
Interface	Ethernet	1*RJ45 10M/100M Ethernet Port		
	Audio I/O	1/1 (Only for Multi-interface)		
	Alarm I/O	1/1 (Only for Multi-interface)		
Network	Network Storage	NAS (Support NFS, SMB/CIFS), ANR		
	Protocol	IPv4/IPv6, ARP, TCP, UDP, RTCP, RTP, RTSP, RTMP, HTTP, HTTPS, DNS, DDNS, DHCP, FTP, NTP, SMTP, SNMP, UPnP, Bonjour, LLDP, SIP, VPN, PPPoE, VLAN, 802.1x, QoS, IGMP, ICMP, SSL,TLS 1.2		
Audio	Audio Compression	G.711/AAC/G.722/G.726		
	Audio Sampling Rate	8/16/32/44.1/48KHz		
	Audio Bit Rate	16~256kbps		
Intelligent Analytics	Video Analysis	VCA 2.0: Intrusion Detection, Region Entrance, Region Exiting, Advanced Motion Detection, Line Crossing, Loitering, Object Left, Object Removed		
	Face Detection&Face Attribute Recognition	Detect and capture faces, get real-time snapshots; The attributes include Age, Gender, Glasses, Mask and Cap; Support Faces Privacy Mode, the detected faces in the face detection area will be mosaic automatically.		
	Object Counting & Report	Count the number of objects crossing the line, optionally human and vehicle, Support regional people counting for up to 4 detection areas		
	Heat Map	The built-in statistical behavior analysis enables you to identify the busiest areas within the environment		
Event	Basic Event	Motion Detection, Tamper Detection, External Input & External Output & Audio Alarm		
	Exception	Network Disconnection, IP Address Filtering, Record Failed, SD Card Full, SD Card Uninitialized, SD Card Error, No SD Card		
	Event Action	FTP Upload Record, SMTP Upload Record, SD Card Record, Snapshot, SIP Phone, HTTP Notification, External Output, Play Audio		



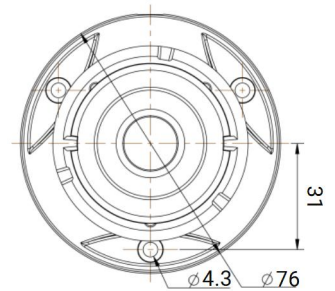
System	Watermark	Support		
	Storage	Support microSD/SDHC/SDXC Card Local Storage, up to 1TB		
	Secure Storage	SD card encrypt (AES-256), Secure element		
	SIP/VoIP Support	Yes, Voice & Video-over-IP		
	System Compatibility	ONVIF Profile G & M & S & T, API		
	HTTPS Transmission Encryption	AES-256		
General	Working Temperature	-40°C~60°C		
	Working Humidity	0~95% (Non-condensing)		
	Power Supply	PoE (802.3af) / DC 12V±10%		
	Power Consumption	Min.: 2.5W (DC 12V), 3.5W(PoE) Max.: 9.5W (DC 12V), 11.5W(PoE)	Min.: 3W (DC 12V), 4W(PoE) Max.: 10W (DC 12V), 11W(PoE)	Min.: 4W (DC 12V), 5W (PoE) Max.: 10.5W (DC 12V), 13W (PoE)
	Weight	Approx. 825g		
	Dimensions	Φ76mmX239.5mm		
	Warranty	3 Years/5 Years (Optional)		
Certifications	EMC	CE-EMC (EN 55032, EN 55035), FCC (PART 15B)		
	Safety	CE-LVD (EN IEC 62368-1)		
	Environment	CE-ROHS (Directive (EU) 2015/863 amending 2011/65/EU)		
	Protection	IP67, IK10		



Structure Diagrams



Units: mm



Accessories Support

