

# 5G AI 4X/12X Pro Bullet Plus Network Camera



IP67

AF Lens



**DATASHEET**

- ▶ Smart IR II (Combining the High Beam and Low Beam to adjust IR intensity to fit different lighting conditions.)
- ▶ P2P (Remotely access the camera using 5G network via P2P with hassle-free setup and easy connection.)
- ▶ 90fps High Frame Rate (Camera can easily catch images with no latency despite of the high-speed movement.)
- ▶ HLC (High Light Compensation. Improving image visibility under strong light sources.)
- ▶ Defog (Defog technology. Restoring clear images in hazy and foggy weather.)
- ▶ Integrated Cable Management (Combining the power interface, PoE port, and other interfaces in the base neatly.)
- ▶ 1TB (Supporting ultra-large external microSD/SDHC/SDXC card storage up to 1TB.)
- ▶ Smart Stream (Bandwidth, storage and bit rate are saved with Smart Stream On, eg, H.265+ saves 70%~80% bandwidth that of H.264)

## 5G Technology

Camera responsiveness and real-time monitoring can be greatly enhanced by the larger bandwidth and lower latency of 5G networks, not to mention a leap in ultra-high-definition video or images. The 5G camera comes with its 5G cellular module, which is fit for some scenarios where wiring is inconvenient, and its high performance of mobility, security and coverage also bring new opportunities for the industry.



## AI Video Analytics

- 9 intelligent VCA modes powered by AI engine, which can intelligently filter objects to focus on human and vehicle detection.
- Object Counting technology provides high accuracy and real-time data based on AI algorithm with statistic reports.
- Face Detection function detects human faces in the monitoring scene and captures the snapshots, which greatly enhances the monitoring efficiency.

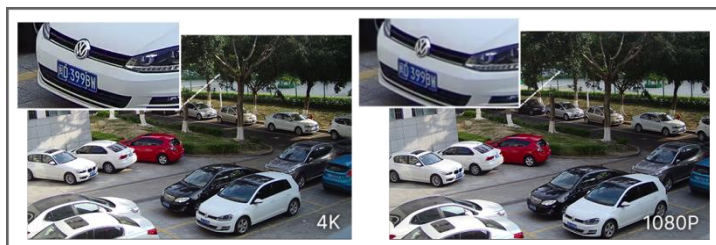


## 0.005Lux Ultra Low-light

The starlight camera is able to deliver high detailed color images even in low light environment reaching 0.005Lux(Color) or 0Lux(B/W), and near infrared light environments without any supplementary lighting.

## 30fps@4K

Providing 4K HD resolution with frame rate of 30fps, the camera performs well in catching detailed image regardless of the moving speed.



# Milesight 5G AI 4X/12X Pro Bullet Plus Network Camera



	Model	MS-C2966-X12R(T)GPE (2MP)	MS-C8266-X4GPE (4K)
Camera	Image Sensor	1/2.8" Progressive Scan CMOS	1/1.8" Progressive Scan CMOS
	Min. Illumination	Color: 0.005Lux@F1.6 B/W: 0Lux with IR on	Color: 0.009Lux@F1.6 B/W: 0Lux with IR on
	WDR	140dB Super WDR <b>(Super WDR Pro is optional for T Series)</b>	120dB Super WDR
	Shutter Time	1/100000s~1s	
	IR Distance	Up to 180m	
	Day/Night Mode	Day/Night/Auto/Customize/Schedule	
	S/N	>55dB	
	Lens	5.3~64mm, 12X Optical Zoom	8~32mm, 4X Optical Zoom
	Field of View	H61°~H5°/D69°~D5°/V36°~V2°	H44°~H13°/D51°~D15°/V25°~V7°
	Mount	Φ14	
	Focus Control	Auto/Manual	
	Aperture	F1.6~F2.8	F1.6-F1.7
Iris Control	Auto		
Video	Max. Image Resolution	1920x1080	3840x2160
	Primary Stream	60Hz: <b>90fps@(1920x1080)(Optional for T Series)</b> , 60fps@(1920x1080, 1280x960, 1280x720, 704x576) 50Hz: <b>90fps@(1920x1080)(Optional for T Series)</b> , 50fps@(1920x1080, 1280x960, 1280x720, 704x576)	60Hz: 30fps@(3840x2160, 3072x2048, 2592x1944, 2592x1520, 2048x1536, 1920x1080, 1280x960, 1280x720, 704x576) 50Hz: 25fps@(3840x2160, 3072x2048, 2592x1944, 2592x1520, 2048x1536, 1920x1080, 1280x960, 1280x720, 704x576)
	Secondary Stream	60Hz: 60fps@(704x576, 640x480, 640x360, 352x288, 320x240, 320x192, 320x180) 50Hz: 50fps@(704x576, 640x480, 640x360, 352x288, 320x240, 320x192, 320x180)	60Hz: 30fps@(704x576, 640x480, 640x360, 352x288, 320x240, 320x192, 320x180) 50Hz: 25fps@(704x576, 640x480, 640x360, 352x288, 320x240, 320x192, 320x180)
	Tertiary Stream	60Hz: 30fps@(1920x1080, 1280x720, 704x576, 640x480, 640x360, 320x240, 320x192, 320x180) 50Hz: 25fps@(1920x1080, 1280x720, 704x576, 640x480, 640x360, 320x240, 320x192, 320x180)	
	Video Compression	H.265+/H.265(HEVC)/H.264+/H.264/MJPEG	
	Video Bit Rate	16Kbps~16Mbps(CBR/VBR Adjustable)	
	Privacy Masking	Up to 8 Areas (Mask Area and Mosaic Area are optional)	
	ROI	Up to 8 areas	
	Image Setting	Brightness/Contrast/Saturation/Sharpness	
Interface	Ethernet	1*RJ45 10M/100M Ethernet Port	
	Audio I/O	1/1	
	Alarm I/O	1/1	

# Milesight 5G AI 4X/12X Pro Bullet Plus Network Camera



<b>Mobile Communication Parameter</b>	Wireless Communication		Support 5G/4G/3G
	Frequency Bands	5G NR	n1/n2/n3/n5/n7/n8/n12/n13/n14/n18/n20/n25/n26/n28/n29/n30/n38/n40/n41/n48/n66 /n70/n71/n75/n76/n77/n78/n79
		LTE-FDD	B1/B2/B3/B4/B5/B7/B8/B12/B13/B14/B17/B18/B19/B20 /B25/B26/B28/B29/B30/B32/B66/B71
		LTE-TDD	B34/B38/B39/B40/B41/B42/B48
		LAA	B46
		WCDMA	B1/B2/B4/B5/B8/B19
	Wireless Transmission Speed	SA	DL 2.4Gbps; UL 900Mbps
NSA		DL 3.4Gbps; UL 550Mbps	
LTE		DL 1.6Gbps; UL 200Mbps	
SIM Card		Nano SIM	
<b>Network</b>	Network Storage		NAS(Support NFS, SMB/CIFS)
	Protocol		IPv4/IPv6, ARP, TCP, UDP, RTCP, RTP, RTSP, RTMP, HTTP, HTTPS, DNS, DDNS, DHCP, FTP, NTP, SMTP, SNMP, UPnP, Bonjour, SIP, PPPoE, VLAN, 802.1x, QoS, IGMP, ICMP, SSL, TLS 1.2
<b>Audio</b>	Audio Compression		G.711/AAC/G.722/G.726
	Audio Sampling Rate		8/16/32/44.1/48KHz
	Audio Bit Rate		16~256kbps
	Two-way Audio		Support
<b>Intelligent Analytics</b>	Video Analysis		Intrusion Detection, Region Entrance, Region Exiting, Advanced Motion Detection, Tamper Detection, Line Crossing, Loitering, Object Left, Object Removed
	Face Detection&Face Attribute Recognition		Detect and capture faces, get real-time snapshots; The attributes include Age, Gender, Glasses, Mask and Cap; Support Faces Privacy Mode, the detected faces in the face detection area will be mosaic automatically.
	Object Counting& Report		Count the number of objects crossing the line, optionally human and vehicle, Support regional people counting for up to 4 detection areas
<b>System</b>	Storage		Support microSD/SDHC/SDXC Card Local Storage, up to 1TB
	Advanced Function		Heat Map, BLC, HLC, 2D DNR, 3D DNR, Defog, AWB, IP Address Filtering, AGC, Anti-flicker, Corridor Mode, Deblur, Watermark
	SIP/VoIP Support		Yes, Voice & Video-over-IP
	Event Trigger		Motion Detection, Network Disconnection, External Input, Audio Alarm, etc.
	Event Action		FTP Upload, SMTP Upload, SD Card Record, External Output, SIP Phone, HTTP Notification, etc
	System Compatibility		ONVIF Profile G & M & S & T, API

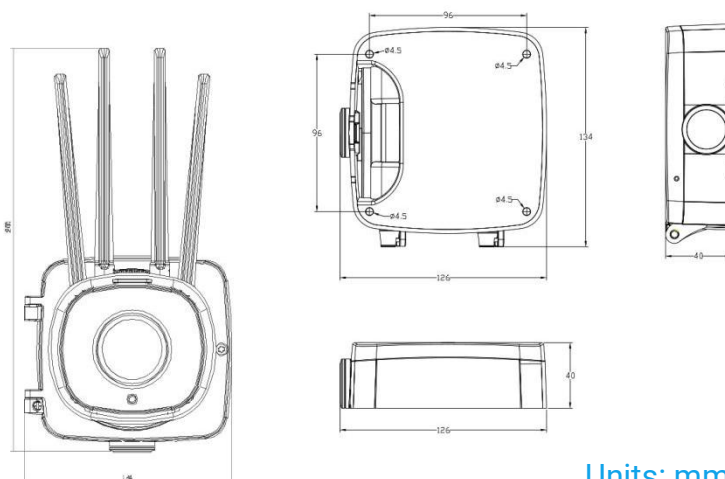
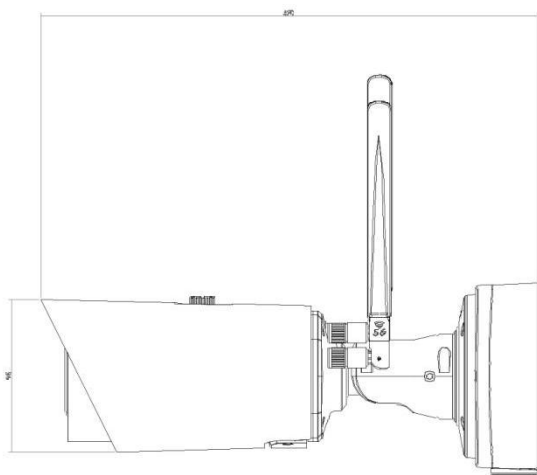
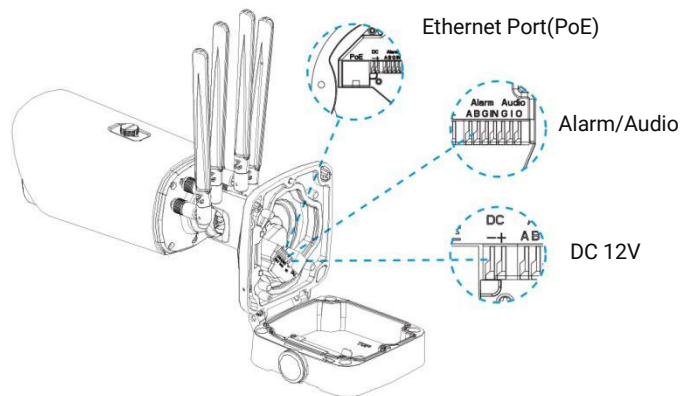
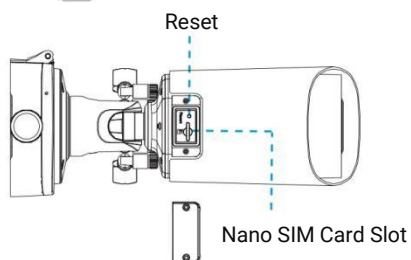
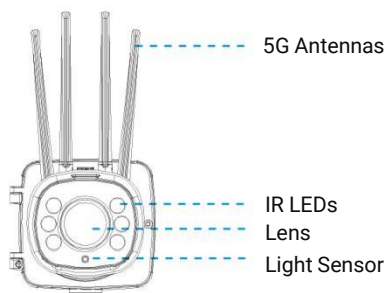
# Milesight 5G AI 4X/12X Pro Bullet Plus Network Camera



## General

Working Temperature	-40°C~60°C	
Working Humidity	0~90%(Non-condensing)	
Power Supply	PoE (802.3at) / DC 12V±10%	
Power Consumption	8W MAX 16W MAX (With IR on)	8W MAX 17W MAX (With IR on)
Surge Protection	4KV	
Weather Proof	Up to IP67-rated for Weather-resistant Performance (Only for camera body)	
Weight	1608g	
Dimensions	320mmX134mmX126mm 320mmX134mmX292mm (With 5G Antennas)	
Warranty	3/5 Years	

# Milesight 5G AI 4X/12X Pro Bullet Plus Network Camera



Units: mm

## Accessories Support

### A62 Junction Box(Default)

Weight: 510g

Dimensions: 134\*126\*40mm



### A02 V2 Pole Mount

Weight: 1kg

Dimensions: 180\*136\*46mm



### A03 External Corner Bracket

Weight: 900g

Dimensions: 170\*152.5\*76.3mm

