

5G AI Motorized Pro Bullet Plus Network Camera



IP67

Motorized Lens



DATASHEET

KEY FEATURES

- ▶ Smart IR II (Combining the High Beam and Low Beam to adjust IR intensity to fit different lighting conditions.)
- ▶ P2P (Remotely access the camera using 5G network via P2P with hassle-free setup and easy connection.)
- ▶ HLC (High Light Compensation. Improving image visibility under strong light sources.)
- ▶ Defog (Defog technology. Restoring clear images in hazy and foggy weather.)
- ▶ Integrated Cable Management (Combining the power interface, PoE port, and other interfaces in the base neatly.)
- ▶ 1TB (Supporting ultra-large external microSD/SDHC/SDXC card storage up to 1TB.)
- ▶ Smart Stream (Bandwidth, storage and bit rate are saved with Smart Stream On, eg, H.265+ saves 70%~80% bandwidth that of H.264)

5G Technology

Camera responsiveness and real-time monitoring can be greatly enhanced by the larger bandwidth and lower latency of 5G networks, not to mention a leap in ultra-high-definition video or images. The 5G camera comes with its 5G cellular module, which is fit for some scenarios where wiring is inconvenient, and its higher performance of mobility, security and coverage also bring new opportunities for the industry.



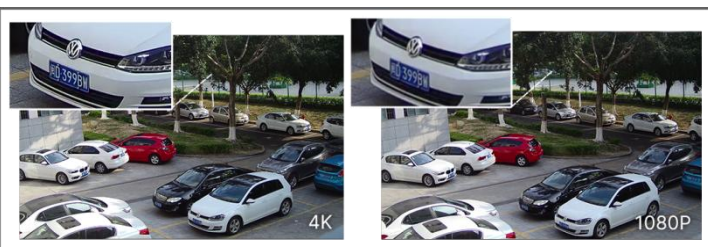
AI Video Analytics

- 9 intelligent VCA modes powered by AI engine, which can intelligently filter objects to focus on human and vehicle detection.
- Object Counting technology provides high accuracy and real-time data based on AI algorithm with statistic reports.
- Face Detection function detects human faces in the monitoring scene and captures the snapshots, which greatly enhances the monitoring efficiency.



0.005Lux Ultra Low-light

The starlight camera is able to deliver high detailed color images even in low light environment reaching 0.005Lux(Color) or 0Lux(B/W), and near infrared light environments without any supplementary lighting.



Easy Deployment and Compact Structure

5G antenna is built outside the camera and the 5G module is directly merged inside the camera. By inserting the SIM card, you can monitor in places where network wiring is not convenient. Versatile interface and integrated junction box ensure installation neat and tidy.



Milesight 5G AI Motorized Pro Bullet Plus Network Camera



	Model	MS-C2966-RF(I)GPE (2MP)	MS-C8266-F(I)GPE (4K)
Camera	Image Sensor	1/2.8" Progressive Scan CMOS	1/1.8" Progressive Scan CMOS
	Min. Illumination	Color: 0.005Lux@F1.4 B/W: 0Lux with IR on	Color: 0.009Lux@F1.4 B/W: 0Lux with IR on
	WDR	140dB Super WDR	120dB Super WDR
	Shutter Time	1/100000s~1s	
	IR Distance	Up to 65m(2.7~13.5mm) Up to 100m(7~22mm)	Up to 65m
	Day/Night Mode	Day/Night/Auto/Customize/Schedule	
	S/N	>55dB	
Lens	Lens	Motorized 2.7~13.5mm/7~22mm@F1.4 P-Iris(Optional)	Motorized 3.6~10mm@F1.4 P-Iris(Optional)
	Field of View	H113°~H33°/D130°~D38°/V60°~V18° (2.7~13.5mm) H45°~H17°/D53°~D20°/V25°~V9° (7~22mm)	H116°~H48°/D134°~D55°/V65°~V27°
	Mount	Φ14	
	Focus Control	Auto/Manual	
	Iris Control (Optional for I Series)	Auto/Manual	
Video	Max. Image Resolution	1920x1080	3840x2160
	Primary Stream	60Hz: 60fps@(1920x1080, 1280x960, 1280x720, 704x576) 50Hz: 50fps@(1920x1080, 1280x960, 1280x720, 704x576)	60Hz: 30fps@(3840x2160, 3072x2048, 2592x1944, 2592x1520, 2048x1536, 1920x1080, 1280x960, 1280x720, 704x576) 50Hz: 25fps@(3840x2160, 3072x2048, 2592x1944, 2592x1520, 2048x1536, 1920x1080, 1280x960, 1280x720, 704x576)
	Secondary Stream	60Hz: 60fps@(704x576, 640x480, 640x360, 352x288, 320x240, 320x192, 320x180) 50Hz: 50fps@(704x576, 640x480, 640x360, 352x288, 320x240, 320x192, 320x180)	60Hz: 30fps@(704x576, 640x480, 640x360, 352x288, 320x240, 320x192, 320x180) 50Hz: 25fps@(704x576, 640x480, 640x360, 352x288, 320x240, 320x192, 320x180)
	Tertiary Stream	60Hz: 30fps@(1920x1080, 1280x720, 704x576, 640x480, 640x360, 320x240, 320x192, 320x180) 50Hz: 25fps@(1920x1080, 1280x720, 704x576, 640x480, 640x360, 320x240, 320x192, 320x180)	
	Video Compression	H.265*/H.265(HEVC)/H.264*/H.264/MJPEG	
	Video Bit Rate	16Kbps~16Mbps(CBR/VBR Adjustable)	
	Privacy Masking	Up to 8 Areas (Mask Area and Mosaic Area are optional)	
	ROI	Up to 8 areas	
	Image Setting	Brightness/Contrast/Saturation/Sharpness	

Milesight 5G AI Motorized Pro Bullet Plus Network Camera



Interface	Ethernet	1*RJ45 10M/100M Ethernet Port	
	Audio I/O	1/1	
	Alarm I/O	1/1	
Mobile Communication Parameter	Wireless Communication		Support 5G/4G/3G
	Frequency Bands	5G NR	n1/n2/n3/n5/n7/n8/n12/n13/n14/n18/n20/n25/n26/n28/n29/n30/n38/n40/n41/n48/n66 /n70/n71/n75/n76/n77/n78/n79
		LTE-FDD	B1/B2/B3/B4/B5/B7/B8/B12/B13/B14/B17/B18/B19/B20 /B25/B26/B28/B29/B30/B32/B66/B71
		LTE-TDD	B34/B38/B39/B40/B41/B42/B48
		LAA	B46
		WCDMA	B1/B2/B4/B5/B8/B19
	Wireless Transmission Speed	SA	DL 2.4Gbps; UL 900Mbps
		NSA	DL 3.4Gbps; UL 550Mbps
LTE		DL 1.6Gbps; UL 200Mbps	
SIM Card		Nano SIM	
Network	Network Storage	NAS(Support NFS, SMB/CIFS	
	Protocol	IPv4/IPv6, ARP, TCP, UDP, RTCP, RTP, RTSP, RTMP, HTTP, HTTPS, DNS, DDNS, DHCP, FTP, NTP, SMTP, SNMP, UPnP, Bonjour, SIP, PPPoE, VLAN, 802.1x, QoS, IGMP, ICMP, SSL, TLS 1.2	
Audio	Audio Compression	G.711/AAC/G.722/G.726	
	Audio Sampling Rate	8/16/32/44.1/48KHz	
	Audio Bit Rate	16~256kbps	
	Two-way Audio	Support	
Intelligent Analytics	Video Analysis	Intrusion Detection, Region Entrance, Region Exiting, Advanced Motion Detection, Tamper Detection, Line Crossing, Loitering, Object Left, Object Removed	
	Face Detection	Detect and capture faces, get real-time snapshots; The attributes include Age, Gender, Glasses, Mask and Cap. Support Faces Privacy Mode, the detected faces in the face detection area will be mosaic automatically.	
	Object Counting& Report	Count the number of objects crossing the line, optionally human and vehicle, Support regional people counting for up to 4 detection areas	
System	Storage	Support microSD/SDHC/SDXC Card Local Storage, up to 1TB	
	Advanced Function	Heat Map, BLC, HLC, 2D DNR, 3D DNR, Defog, AWB, EIS, IP Address Filtering, AGC, Anti-flicker, Corridor Mode, Deblur, Watermark	
	SIP/VoIP Support	Yes, Voice & Video-over-IP	
	Event Trigger	Motion Detection, Network Disconnection, External Input, Audio Alarm, etc.	
	Event Action	FTP Upload, SMTP Upload, SD Card Record, External Output, SIP Phone, HTTP Notification, etc.	
	System Compatibility	ONVIF Profile G & M & S & T, API	

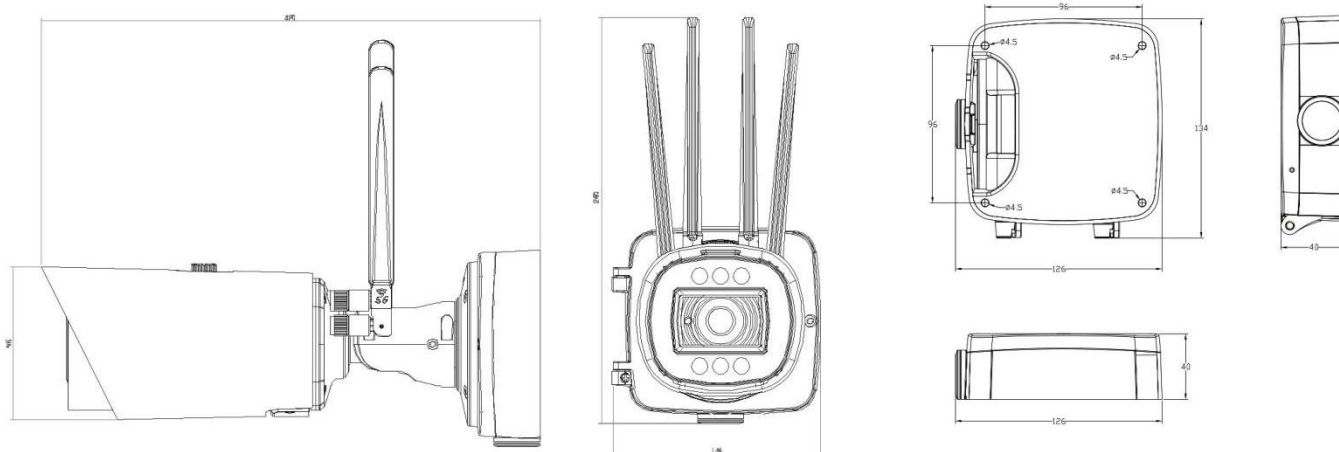
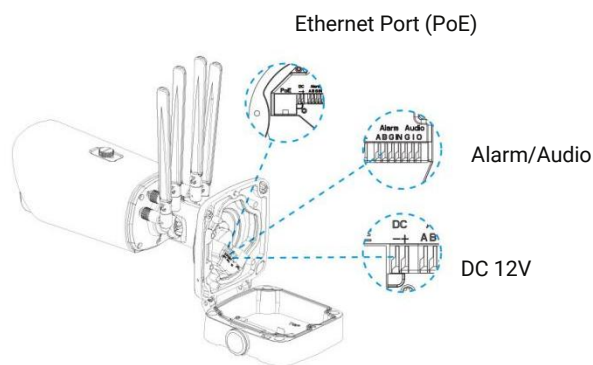
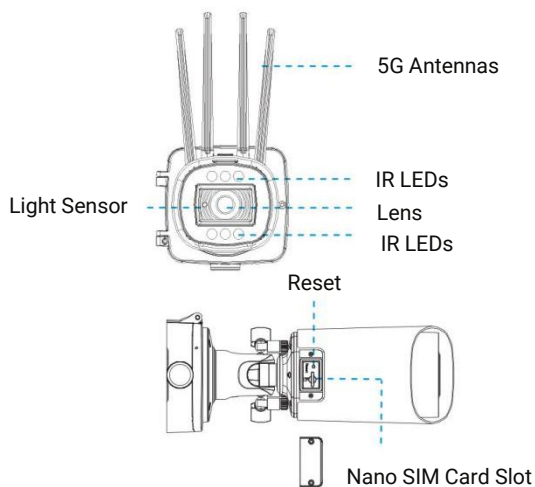
Milesight 5G AI Motorized Pro Bullet Plus Network Camera



General	Working Temperature	-40°C~60°C	
	Working Humidity	0~90%(Non-condensing)	
	Power Supply	PoE (802.3at) / DC 12V ± 10%	
	Power Consumption	9W MAX 14W MAX (With IR on)	10W MAX 16W MAX (With IR on)
	Surge Protection	4KV	
	Weather Proof	Up to IP67-rated for Weather-resistant Performance (Only for camera body)	
	Weight	1650g	
	Dimensions	320mmX134mmX126mm 320mmX134mmX208mm (With Antennas)	
	Warranty	3/5 Years	



Structure Diagrams



Units: mm

A62 Junction Box(Default)

Weight: 510g

Dimensions: 134*126*40mm



A02 V2 Pole Mount

Weight: 1kg

Dimensions: 180*136*46mm



A03 External Corner Bracket

Weight: 900g

Dimensions: 170*152.5*76.3mm

