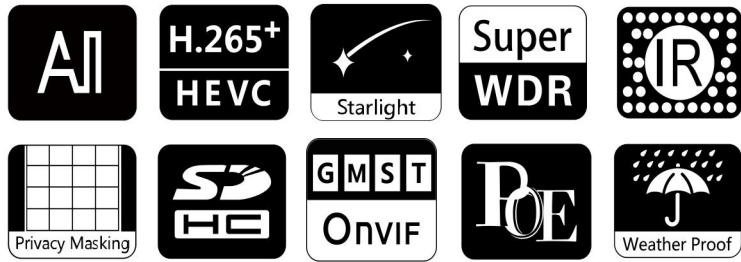


## AI 25X/30X/36X/42X Speed Dome Network Camera

NDA A ✓



DATASHEET

### Key Features

- ▶ Smart IR II (Combining the High Beam and Low Beam to adjust IR intensity to fit different lighting conditions.)
- ▶ 140dB Super WDR (Excellent performance even when the ratio of the luminosity of brightest and darkest is up to 140dB.)
- ▶ 90fps High Frame Rate (Camera can easily catch images with no latency despite of the high-speed movement.)
- ▶ 0.005Lux Starlight (Deliver high detailed color images even in low light environment reaching 0.005Lux.)
- ▶ Smart PTZ Motion Detection (Pan and tilt to the position of motion detected area automatically and zoom in synchronously.)
- ▶ IR Distance up to 300m (Enabling 300 meters distinct images at night with IR LEDs.)
- ▶ 300 Preset Positions (The user can easily control the lens position via mouse to monitor interested area and set up to 300 preset positions for patrolling.)
- ▶ Keyboard Control (Shortcut keys for PTZ control via Milesight Keyboard.)
- ▶ Smart Stream (Bandwidth, storage and bit rate are saved with Smart Stream On, eg, H.265+ saves 70%~80% bandwidth that of H.264.)

### AI Video Analytics

- 8 intelligent VCA modes powered by AI engine, which can intelligently filter objects to focus on human and vehicle detection.
- People Counting technology provides high accuracy and real-time data based on AI algorithm with statistic reports.
- Face Detection function detects human faces in the monitoring scene and captures the snapshots, which greatly enhances the monitoring efficiency.



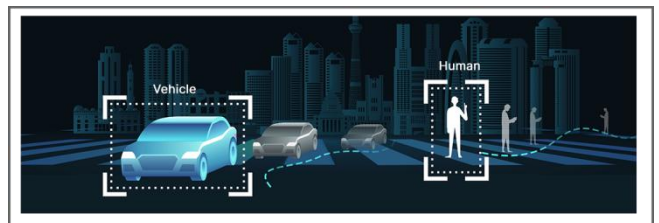
### Up to 42X Optical Zoom

Embedded with optical zoom lens, the cameras' resolution is up to 42X optical zoom which allows the user to zoom up to distant objects while still maintaining the clarity and delivering high quality video over the entire zoom range.



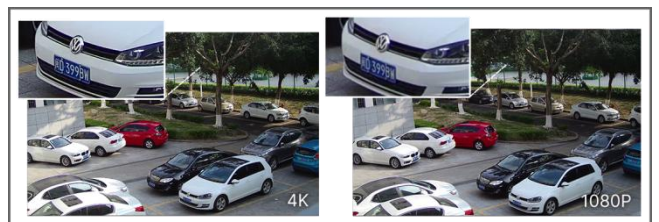
### Intelligent PTZ Auto Tracking

With AI detection, Milesight Network Camera could leverage motor mechanism to perform Pan/Tilt/Zoom to track the moving human or vehicle automatically and adjust zoom status flexibly according to the target distance with the powerful optical zoom capability.



### 30fps@4K

Providing 4K HD resolution with frame rate of 30fps, the camera performs well in catching detailed image regardless of the moving speed.



# AI 25X/30X/36X/42X Speed Dome Network Camera



	Model	MS-C2941-X25R(T)PE (2MP)	MS-C2941-X30R(T)PE (/W) (2MP)	MS-C5341-X25PE (5MP)	MS-C5341-X30PE (/W) (5MP)
<b>Camera</b>	Image Sensor	1/2.8" Progressive Scan CMOS			
	Min. Illumination	Color: 0.005Lux@F1.5 B/W: 0Lux with IR on		Color: 0.008Lux@F1.5 B/W: 0Lux with IR on	
	WDR	140dB Super WDR		120dB Super WDR	
	Shutter Time	1/100000s~1s			
	Digital Zoom	16X			
	Day/Night Mode	Day/Night/Auto/Customize/Schedule			
	S/N	>55dB			
<b>Lens</b>	Focal Length	4.8~120mm, <b>25X</b> Optical Zoom	4.7~141mm, <b>30X</b> Optical Zoom	4.8~120mm, <b>25X</b> Optical Zoom	4.7~141mm, <b>30X</b> Optical Zoom
	Zoom Speed	Approx 6s (Wide-Tele)	Approx 6s (Wide-Tele)	Approx 6s (Wide-Tele)	Approx 6s (Wide-Tele)
	Field of View	H61.6°~H2.8°/D70.8°~D3.8° /V36.8°~V1.8°	H62°~H3°/D70°~D3°/ V37°~V1°	H57°~H2.8°/D69.8°~D3.6° /V43.8°~V1.8°	H58°~H3°/D71°~D3°/ V44°~V2°
	Focus Control	Auto/Semi-Auto/Manual			
	Minimum Working Distance	100/1500mm (Wide/Tele)	100/1500mm (Wide/Tele)	100/1500mm (Wide/Tele)	100/1500mm (Wide/Tele)
	Aperture	F1.5~F3.5	F1.5~F4.0	F1.5~F3.5	F1.5~F4.0
	Iris Control	Auto			
<b>PTZ</b>	Pan Range/Pan Speed	360°endless / Pan Manual Speed: 0.1°~250°/s, Pan Preset Speed: 250°/s			
	Tilt Range/Tilt Speed	-5°~90°(Auto Flip) / Tilt Manual Speed: 0.1°~160°/s, Tilt Preset Speed: 160°/s			
	Proportional Zoom	Support			
	Preset Quantity	300			
	Patrol	8 Patrols, up to 48 presets each patrol			
	Pattern	4 Patterns			
	Auto Tracking	Support			
	Power Off Memory	Support			
Other Function	Auto Scan, Auto Home, Preset Freezing, 3D Positioning, PTZ Limits, Initial Position				
<b>IR</b>	IR Distance	Up to 200m	Up to 200m Up to 300m(Wiper Version)	Up to 200m	Up to 200m Up to 300m(Wiper Version)
	IR Angle	Auto/Manual			
<b>Video</b>	Max. Image Resolution	1920x1080		2592x1944	
	Primary Stream	60Hz: <b>90fps@(1920x1080)(Optional for T Series)</b> , 60fps@(1920x1080, 1280x960, 1280x720, 704x576) 50Hz: <b>90fps@(1920x1080)(Optional for T Series)</b> , 50fps@(1920x1080, 1280x960, 1280x720, 704x576)		60Hz: 30fps@(2592x1944, 2592x1520), 45fps@(2048x1536), 60fps@(1920x1080, 1280x960, 1280x720) 50Hz: 25fps@(2592x1944, 2592x1520), 45fps@(2048x1536), 50fps@(1920x1080, 1280x960, 1280x720)	
	Secondary Stream	60Hz: 60fps@(704x576, 640x480, 640x360, 352x288, 320x240) 50Hz: 50fps@(704x576, 640x480, 640x360, 352x288, 320x240)		60Hz: 30fps@(704x576, 640x480, 640x360, 352x288, 320x240) 50Hz: 25fps@(704x576, 640x480, 640x360, 352x288, 320x240)	
	Tertiary Stream	60Hz: 30fps@(1920x1080, 1280x720, 704x576, 640x480, 640x360, 320x240) 50Hz: 25fps@(1920x1080, 1280x720, 704x576, 640x480, 640x360, 320x240)			
	Video Compression	H.265*/H.265(HEVC)/H.264*/H.264/MJPEG			
	Video Bit Rate	16Kbps~16Mbps(CBR/VBR Adjustable)			

# AI 25X/30X/36X/42X Speed Dome Network Camera



<b>Video</b>	Privacy Masking	Up to 8 Areas (Mask Area and Mosaic Area are optional)			
	ROI	Up to 8 areas			
	Image Setting	Brightness/Contrast/Saturation/Sharpness			
<b>Interface</b>	Ethernet	1*RJ45 10M/100M Ethernet Port			
	Audio I/O	1/1			
	Alarm I/O	4/2			
	RS485	Support			
<b>Network</b>	Network Storage	NAS(Support NFS, SMB/CIFS), ANR			
	Protocol	IPv4/IPv6, ARP, TCP, UDP, RTCP, RTP, RTSP, RTMP, HTTP, HTTPS, DNS, DDNS, DHCP, FTP, NTP, SMTP, SNMP, UPnP, Bonjour, SIP, PPPoE, VLAN, 802.1x, QoS, IGMP, ICMP, SSL,TLS 1.2			
<b>Audio</b>	Audio Compression	G.711/AAC/G.722/G.726			
	Audio Sampling Rate	8/16/32/44.1/48KHz			
	Audio Bit Rate	16~256kbps			
	Two-way Audio	Support			
<b>Intelligent Analytics</b>	Video Analysis	Intrusion Detection, Region Entrance, Region Exiting, Advanced Motion Detection, Tamper Detection, Line Crossing, Loitering, Object Left, Object Removed			
	Face Detection & Face Attribute Recognition	Detect and capture faces, get real-time snapshots and the attributes include Age, Gender, Glasses, Mask and Cap. Support Faces Privacy Mode, the detected faces in the face detection area will be mosaic automatically.			
	Object Counting & Report	Count the number of objects crossing the line, optionally human and vehicle, Support regional people counting for up to 4 detection areas			
<b>System</b>	Storage	Support microSD/SDHC/SDXC Card Local Storage, up to 1TB			
	Advanced Function	BLC, HLC, 2D DNR, 3D DNR, Defog, AWB, IP Address Filtering, AGC, Anti-flicker, Corridor Mode, Deblur, Watermark			
	SIP/VoIP Support	Yes, Voice & Video-over-IP			
	Event Trigger	Motion Detection, Network Disconnection, External Input, Audio Alarm, etc.			
	Event Action	FTP Upload, SMTP Upload, SD Card Record, External Output, SIP Phone, PTZ Motion, HTTP Notification, etc.			
	System Compatibility	ONVIF Profile G & M & S & T, API			
<b>General</b>	Working Condition	Temperature: -40℃~60℃ / Humidity: 0~95%(Non-condensing)			
	Power Supply	PoE (802.3at) / AC 24V/3A±10%			
	Power Consumption	11W MAX / 27W MAX (With IR on)	12W MAX / 27W MAX (With IR on)	11W MAX / 27W MAX (With IR on)	12W MAX / 28W MAX (With IR on)
	Weather Proof/Housing	Up to IP66-rated for Weather-resistant Performance / Vandal-proof IK10-rated Metal Housing(Optional)			
	Heater	Support			
	Wiper (Optional)	-	Support	-	Support
	Surge Protection	6KV			
	Dimensions/Weight	Φ205mmX308mm/4Kg			
	Warranty	2 Years / 3 Years (Optional)			

# AI 25X/30X/36X/42X Speed Dome Network Camera



	Model	MS-C4441-X36RPE (/W) (4MP)	MS-C2941-X42R(T)PE (/W) (2MP)	MS-C5341-X42PE (/W) (5MP)	MS-C8241-X36PE (/W) (4K)
Camera	Image Sensor	1/1.8" Progressive Scan CMOS	1/2.8" Progressive Scan CMOS		1/1.8" Progressive Scan CMOS
	Min. Illumination	Color: 0.002Lux@F1.4 B/W: 0Lux with IR on	Color: 0.005Lux@F1.8 B/W: 0Lux with IR on	Color: 0.008Lux@F1.8 B/W: 0Lux with IR on	Color: 0.009Lux@F1.55 B/W: 0Lux with IR on
	WDR	140dB Super WDR	120dB Super WDR		
	Shutter Time	1/100000s~1s			
	Digital Zoom	16X			
	Day/Night Mode	Day/Night/Auto/Customize/Schedule			
	S/N	>55dB			
Lens	Focal Length	5.7~205.3mm, 36X Optical Zoom	7~300mm, 42X Optical Zoom	7~300mm, 42X Optical Zoom	5.7~205.2mm, 36X Optical Zoom
	Zoom Speed	Approx 7s (Wide-Tele)	Approx 7s (Wide-Tele)	Approx 7s (Wide-Tele)	Approx 7s (Wide-Tele)
	Field of View	H63°~H3°/D69°~D3°/ V38°~V1°	H45°~H2°/D50°~D2°/ V27°~V1°	H43°~H2°/D53°~D2°/ V33°~V1°	H65°~H2.5°/D72°~D2.9°/ V40°~V1.4°
	Focus Control	Auto/Semi-Auto/Manual			
	Minimum Working Distance	1500/1500mm (Wide/Tele)	1200/1500mm (Wide/Tele)	1200/1500mm (Wide/Tele)	1500/1500mm (Wide/Tele)
	Aperture	F1.4~F4.8	F1.8~F6.5	F1.8~F6.5	F1.55~F4.8
	Iris Control	Auto			
PTZ	Pan Range/Pan Speed	360°endless / Pan Manual Speed: 0.1°~250°/s, Pan Preset Speed: 250°/s			
	Tilt Range/Tilt Speed	-10°~90°(Auto Flip) / Tilt Manual Speed: 0.1°~160°/s, Tilt Preset Speed: 160°/s			
	Proportional Zoom	Support			
	Preset Quantity	300			
	Patrol	8 Patrols, up to 48 presets each patrol			
	Pattern	4 Patterns			
	Auto Tracking	Support			
	Power Off Memory	Support			
Other Function	Auto Scan, Auto Home, Preset Freezing, 3D positioning, PTZ Limits, Initial Position				
IR	IR Distance	Up to 300m			
	IR Angle	Auto/Manual			
Video	Max. Image Resolution	2688x1520	1920x1080	2592x1944	3840x2160
	Primary Stream	60Hz: 60fps@(2688x1520, 2304x1296, 1920x1080, 1280x720) 50Hz: 50fps@(2688x1520, 2304x1296, 1920x1080, 1280x720)	60Hz: 90fps@(1920x1080) (Optional for T Series), 60fps@(1920x1080, 1280x960, 1280x720, 704x576) 50Hz: 90fps@(1920x1080) (Optional for T Series), 50fps@(1920x1080, 1280x960, 1280x720, 704x576)	60Hz: 30fps@(2592x1944, 2592x1520), 45fps@(2048x1536), 60fps@(1920x1080, 1280x960, 1280x720) 50Hz: 25fps@(2592x1944, 2592x1520), 45fps@(2048x1536), 50fps@(1920x1080, 1280x960, 1280x720)	60Hz: 30fps@(3840x2160, 3072x2048, 2592x1944, 2592x1520, 2048x1536, 1920x1080, 1280x960, 1280x720, 704x576) 50Hz: 25fps@(3840x2160, 3072x2048, 2592x1944, 2592x1520, 2048x1536, 1920x1080, 1280x960, 1280x720, 704x576)
	Secondary Stream	60Hz: 30fps@(704x576, 640x480, 640x360, 352x288, 320x240) 50Hz: 25fps@(704x576, 640x480, 640x360, 352x288, 320x240)			



# AI 25X/30X/36X/42X Speed Dome Network Camera

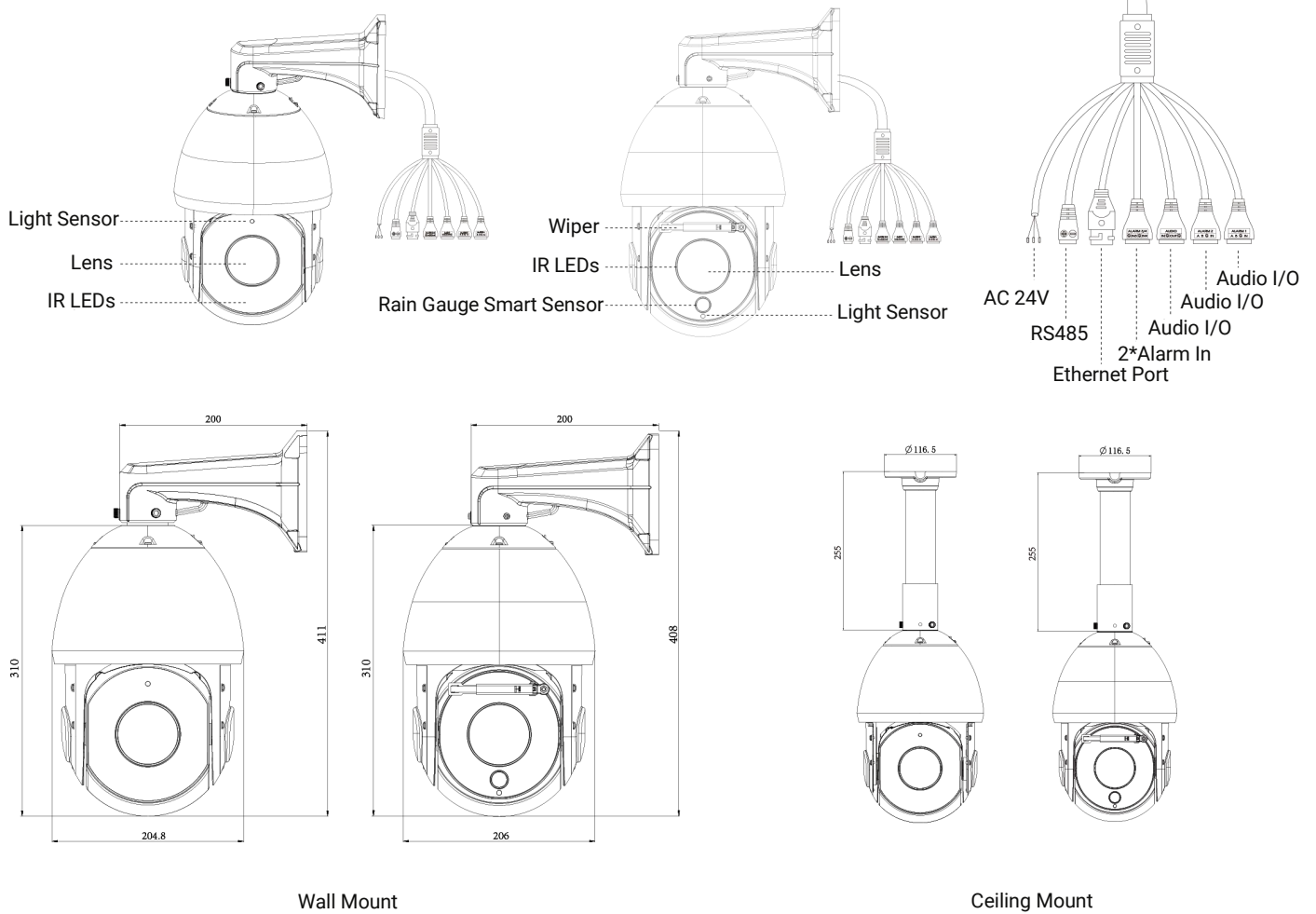


<b>Video</b>	Tertiary Stream	60Hz: 30fps@(1280x720, 704x576, 640x480, 640x360, 320x240) 50Hz: 25fps@(1280x720, 704x576, 640x480, 640x360, 320x240)	60Hz: 30fps@(1920x1080, 1280x720, 704x576, 640x480, 640x360, 320x240) 50Hz: 25fps@(1920x1080, 1280x720, 704x576, 640x480, 640x360, 320x240)		
	Video Compression	H.265*/H.265(HEVC)/H.264*/H.264/MJPEG			
	Video Bit Rate	16Kbps~16Mbps(CBR/VBR Adjustable)			
	Privacy Masking	Up to 8 Areas (Mask Area and Mosaic Area are optional)	Up to 16 Areas (Mask Area and Mosaic Area are optional)		
	ROI	Up to 8 areas			
	Image Setting	Brightness/Contrast/Saturation/Sharpness			
<b>Interface</b>	Ethernet	1*RJ45 10M/100M Ethernet Port			
	Audio I/O	1/1			
	Alarm I/O	4/2			
	RS485	Support			
<b>Network</b>	Network Storage	NAS(Support NFS, SMB/CIFS), ANR			
	Protocol	IPv4/IPv6, ARP, TCP, UDP, RTCP, RTP, RTSP, RTMP, HTTP, HTTPS, DNS, DDNS, DHCP, FTP, NTP, SMTP, SNMP, UPnP, Bonjour, SIP, PPPoE, VLAN, 802.1x, QoS, IGMP, ICMP, SSL,TLS 1.2			
<b>Audio</b>	Audio Compression	G.711/AAC/G.722/G.726			
	Audio Sampling Rate	8/16/32/44.1/48KHz			
	Audio Bit Rate	16~256kbps			
	Two-way Audio	Support			
<b>Intelligent Analytics</b>	Video Analysis	Intrusion Detection, Region Entrance, Region Exiting, Advanced Motion Detection (4 individual detection areas), Tamper Detection, Line Crossing, Loitering, Object Left, Object Removed			
	Face Detection&Face Attribute Recognition	Detect and capture faces, get real-time snapshots. The attributes include Age, Gender, Glasses, Mask and Cap.			
	Object Counting & Report	Count the number of objects crossing the line, optionally human and vehicle Count the number of people entering or leaving, up to 4 detection areas for regional people counting			
<b>System</b>	Storage	Support microSD/SDHC/SDXC Card Local Storage, up to 1TB, with automatic smart recording.			
	Advanced Function	BLC, HLC, 2D DNR, 3D DNR, Defog, AWB, IP Address Filtering, AGC, Anti-flicker, Corridor Mode, Deblur, Watermark			
	SIP/VoIP Support	Yes, Voice & Video-over-IP			
	Event Trigger	Motion Detection, Network Disconnection, External Input, Audio Alarm, etc.			
	Event Action	FTP Upload, SMTP Upload, SD Card Record, External Output, SIP Phone, PTZ Motion, HTTP Notification, etc.			
	System Compatibility	ONVIF Profile G & M & S & T, API			
<b>General</b>	Working Condition	Temperature: -40°C~60°C / Humidity: 0~95%(Non-condensing)			
	Power Supply	PoE (802.3at) / AC 24V/3A±10%			
	Power Consumption	13W MAX / 27W MAX (With IR on)	11W MAX / 26W MAX (With IR on)	12W MAX / 28W MAX (With IR on)	13W MAX / 28W MAX (With IR on)
	Weather Proof/Housing	Up to IP66-rated for Weather-resistant Performance / Vandal-proof IK10-rated Metal Housing(Optional)			
	Heater	Support			
	Wiper(Optional)	Support			
	Surge Protection	6KV			
	Dimensions/Weight	Φ 205mmX308mm/4Kg			
Warranty	2 Years / 3 Years (Optional)				

# AI 25X/30X/36X/42X Speed Dome Network Camera



## Structure Diagrams



**A41 Wall Mount(Default)**  
Weight: 400g  
Dimensions: 200\*129\*100mm



**A01 Pole Mount**  
Weight: 720g  
Dimensions: 170\*51.5\*152.6mm



**A03 External Corner Bracket**  
Weight: 900g  
Dimensions: 170\*152.5\*76.3mm



**A42 Pendant Mount**  
Weight: 650g  
Dimensions: 116.5\*255mm



**A42-L Extension Lever**  
Weight: 325g  
Dimension: 57\*255mm



**A43 Junction Box**  
Weight: 1000g  
Dimensions: 195\*164\*80mm

