

AI 4X/12X Pro Bullet Plus Network Camera

IP67 + IK10



DATASHEET



Key Features

- ▶ NDA A Compliance (The fully NDA A-compliant products are well suited for government, defense and a range of projects subject to the NDA A.)
- ▶ Smart IR II (Combining the High Beam and Low Beam to adjust IR intensity to fit different lighting conditions.)
- ▶ HLC (High Light Compensation. Improving image visibility under strong light sources.)
- ▶ 140dB Super WDR (Excellent performance even when the ratio of the luminosity of brightest and darkest is up to 140dB.)
- ▶ Integrated Cable Management (Combining the power interface, PoE port, and other interfaces in the base neatly.)
- ▶ 1TB (Supporting ultra-large external microSD/SDHC/SDXC card storage up to 1TB.)
- ▶ Smart Stream (Bandwidth, storage and bit rate are saved with Smart Stream On, eg, H.265+ saves 70%~80% bandwidth that of H.264.)

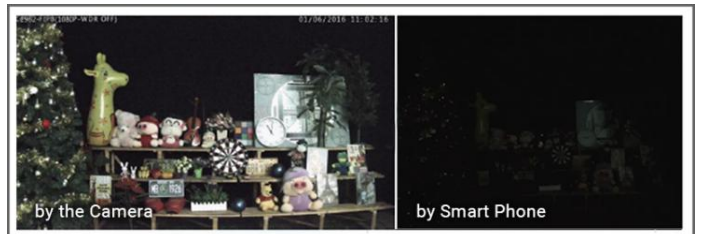
AI Video Analytics

- 8 intelligent VCA modes powered by AI engine, which can intelligently filter objects to focus on human and vehicle detection.
- People Counting technology provides high accuracy and real-time data based on AI algorithm with statistic reports.
- Face Detection function detects human faces in the monitoring scene and captures the snapshots, which greatly enhances the monitoring efficiency.



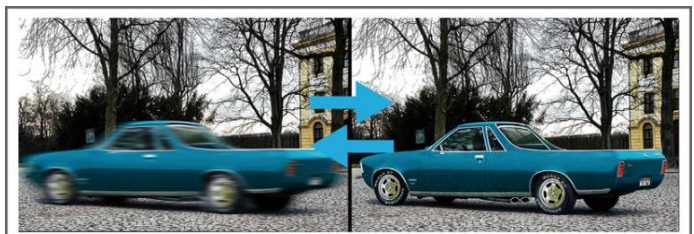
0.002Lux Ultra Low-light

The starlight camera is able to deliver high detailed color images even in low light environment reaching 0.002Lux(Color) or 0Lux(B/W), and near infrared light environments without any supplementary lighting.



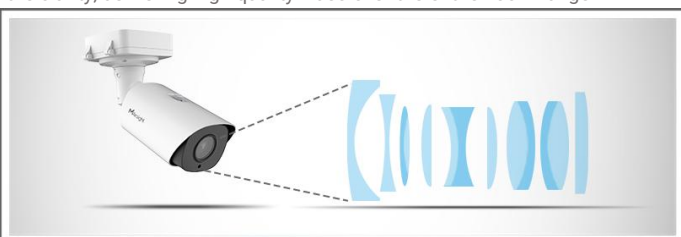
90fps

With the industry leading frame rate reaching 90fps, the cameras can easily catch images with no latency despite of the high-speed movement, which is the best choice for the demanding requirements especially for intelligent cameras.



4X/12X Optical Zoom

The 4X/12X optical zoom can zoom up to distant subjects while still maintaining the clarity, delivering high quality video over the entire zoom range.



AI 4X/12X Pro Bullet Plus Network Camera



	Model	MS-C4466-X4RPE (4MP)	MS-C2966-X12R(T)PE (2MP)
Camera	Image Sensor	1/1.8" Progressive Scan CMOS	1/2.8" Progressive Scan CMOS
	Min. Illumination	Color: 0.002Lux@F1.6 B/W: 0Lux with IR on	Color: 0.005Lux@F1.6 B/W: 0Lux with IR on
	WDR	140dB Super WDR	
	Shutter Time	1/100000s~1s	
	IR Distance	Up to 180m	
	Day/Night Mode	Day/Night/Auto/Customize/Schedule	
	S/N	>55dB	
Lens	Lens	8~32mm, 4X Optical Zoom	5.3~64mm, 12X Optical Zoom
	Field of View	H44°~H13°/D51°~D15°/V25°~V7°	H61°~H5°/D69°~D5°/V36°~V2°
	Mount	Φ14	
	Focus Control	Auto/Manual	
	Aperture	F1.6-F1.7	F1.6~F2.8
	Iris Control	Auto	
Video	Max. Image Resolution	2688x1520	1920x1080
	Primary Stream	60Hz: 60fps@(2688x1520, 2304x1296, 1920x1080, 1280x720)	60Hz: 90fps@(1920x1080)(Optional for T Series) , 60fps@(1920x1080, 1280x960, 1280x720, 704x576)
		50Hz: 50fps@(2688x1520, 2304x1296, 1920x1080, 1280x720)	50Hz: 90fps@(1920x1080)(Optional for T Series) , 50fps@(1920x1080, 1280x960, 1280x720, 704x576)
	Secondary Stream	60Hz: 60fps@(704x576, 640x480, 640x360, 352x288, 320x240) 50Hz: 50fps@(704x576, 640x480, 640x360, 352x288, 320x240)	
	Tertiary Stream	60Hz: 30fps@(1280x720, 704x576, 640x480, 640x360, 320x240) 50Hz: 25fps@(1280x720, 704x576, 640x480, 640x360, 320x240)	60Hz: 30fps@(1920x1080, 1280x720, 704x576, 640x480, 640x360, 320x240) 50Hz: 25fps@(1920x1080, 1280x720, 704x576, 640x480, 640x360, 320x240)
	Video Compression	H.265+/H.265(HEVC)/H.264+/H.264/MJPEG	
	Video Bit Rate	16Kbps~16Mbps(CBR/VBR Adjustable)	
	Privacy Masking	Up to 8 Areas (Mask Area and Mosaic Area are optional)	
	ROI	Up to 8 areas	
	Image Setting	Brightness/Contrast/Saturation/Sharpness	
Interface	Ethernet	1*RJ45 10M/100M Ethernet Port	
	Audio I/O	1/1	
	Alarm I/O	1/1	
Network	Network Storage	NAS(Support NFS, SMB/CIFS), ANR	
	Protocol	IPv4/IPv6, ARP, TCP, UDP, RTCP, RTP, RTSP, RTMP, HTTP, HTTPS, DNS, DDNS, DHCP, FTP, NTP, SMTP, SNMP, UPnP, Bonjour, SIP, PPPoE, VLAN, 802.1x, QoS, IGMP, ICMP, SSL, TLS 1.2	
Audio	Audio Compression	G.711/AAC/G.722/G.726	
	Audio Sampling Rate	8/16/32/44.1/48KHz	
	Audio Bit Rate	16~256kbps	
	Two-way Audio	Support	

AI 4X/12X Pro Bullet Plus Network Camera



Intelligent Analytics	Video Analysis	Intrusion Detection, Region Entrance, Region Exiting, Advanced Motion Detection (4 individual detection areas), Tamper Detection, Line Crossing, Loitering, Object Left, Object Removed
	Face Detection&Face Attribute Recognition	Detect and capture faces, get real-time snapshots; The attributes include Age, Gender, Glasses, Mask and Cap; Support Faces Privacy Mode, the detected faces in the face detection area will be mosaic automatically.
	Object Counting & Report	Count the number of objects crossing the line, optionally human and vehicle, Support regional people counting for up to 4 detection areas
System	Storage	Support microSD/SDHC/SDXC Card Local Storage, up to 1TB, with automatic smart recording.
	Advanced Function	Heat Map, BLC, HLC, 2D DNR, 3D DNR, Defog AWB, IP Address Filtering, AGC, Anti-flicker, Corridor Mode, Deblur, Watermark
	SIP/VoIP Support	Yes, Voice & Video-over-IP
	Event Trigger	Motion Detection, Network Disconnection, External Input, Audio Alarm, etc.
	Event Action	FTP Upload, SMTP Upload, SD Card Record, External Output, SIP Phone, HTTP Notification, etc
	System Compatibility	ONVIF Profile G & M & S & T, API
General	Working Temperature	-40°C~60°C -60°C~60°C (Optional for Heater Version)
	Working Humidity	0~95%(Non-condensing)
	Power Supply	PoE (802.3at) / DC 12V±10%
	Power Consumption	8W MAX
		14W MAX (With IR on)
		10W Max (With Heater on) Heater on: below 10°C, Heater off: above 25°C
	Surge Protection	4KV
	Weather Proof	Up to IP67-rated for Weather-resistant Performance
	Housing	Vandal-proof IK10-rated Metal Housing
	Weight	1445.8g
Dimensions	320mmX134mmX126mm	
Warranty	3/5 Years	

AI 4X/12X Pro Bullet Plus Network Camera



	Model	MS-C5366-X12PE (5MP)	MS-C8266-X4PE (4K)
Camera	Image Sensor	1/2.8" Progressive Scan CMOS	1/1.8" Progressive Scan CMOS
	Min. Illumination	Color: 0.008Lux@F1.6 B/W: 0Lux with IR on	Color: 0.009Lux@F1.6 B/W: 0Lux with IR on
	WDR	120dB Super WDR	
	Shutter Time	1/100000s~1s	
	IR Distance	Up to 180m	
	Day/Night Mode	Day/Night/Auto/Customize/Schedule	
	S/N	>55dB	
	Lens	Lens	5.3~64mm, 12X Optical Zoom
Field of View		H57°~H4°/D69°~D5°/V44°~V1°	H44°~H13°/D51°~D15°/V25°~V7°
Mount		Φ14	
Focus Control		Auto/Manual	
Aperture		F1.6~F2.8	F1.6-F1.7
Iris Control		Auto	
Video	Max. Image Resolution	2592x1944	3840x2160
	Primary Stream	60Hz: 30fps@(2592x1944, 2592x1520), 45fps@(2048x1536), 60fps@(1920x1080, 1280x960, 1280x720) 50Hz: 25fps@(2592x1944, 2592x1520), 45fps@(2048x1536), 50fps@(1920x1080, 1280x960, 1280x720)	60Hz: 30fps@(3840x2160, 3072x2048, 2592x1944, 2592x1520, 2048x1536, 1920x1080, 1280x960, 1280x720, 704x576) 50Hz: 25fps@(3840x2160, 3072x2048, 2592x1944, 2592x1520, 2048x1536, 1920x1080, 1280x960, 1280x720, 704x576)
	Secondary Stream	60Hz: 30fps@(704x576, 640x480, 640x360, 352x288, 320x240) 50Hz: 25fps@(704x576, 640x480, 640x360, 352x288, 320x240)	
	Tertiary Stream	60Hz: 30fps@(1920x1080, 1280x720, 704x576, 640x480, 640x360, 320x240) 50Hz: 25fps@(1920x1080, 1280x720, 704x576, 640x480, 640x360, 320x240)	
	Video Compression	H.265+/H.265(HEVC)/H.264+/H.264/MJPEG	
	Video Bit Rate	16Kbps~16Mbps(CBR/VBR Adjustable)	
	Privacy Masking	Up to 8 Areas (Mask Area and Mosaic Area are optional)	
	ROI	Up to 8 areas	
Image Setting	Brightness/Contrast/Saturation/Sharpness		
Interface	Ethernet	1*RJ45 10M/100M Ethernet Port	
	Audio I/O	1/1	
	Alarm I/O	1/1	
Network	Network Storage	NAS(Support NFS, SMB/CIFS), ANR	
	Protocol	IPv4/IPv6, ARP, TCP, UDP, RTCP, RTP, RTSP, RTMP, HTTP, HTTPS, DNS, DDNS, DHCP, FTP, NTP, SMTP, SNMP, UPnP, Bonjour, SIP, PPPoE, VLAN, 802.1x, QoS, IGMP, ICMP, SSL,TLS 1.2	
Audio	Audio Compression	G.711/AAC/G.722/G.726	
	Audio Sampling Rate	8/16/32/44.1/48KHz	
	Audio Bit Rate	16~256kbps	
	Two-way Audio	Support	

AI 4X/12X Pro Bullet Plus Network Camera

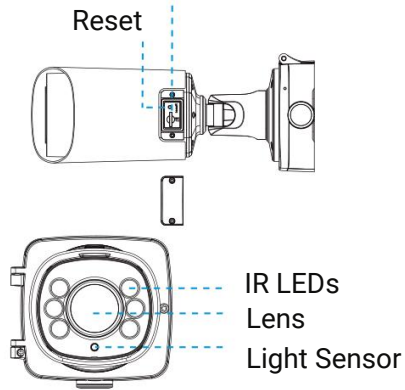


Intelligent Analytics	Video Analysis	Intrusion Detection, Region Entrance, Region Exiting, Advanced Motion Detection, Tamper Detection, Line Crossing, Loitering, Object Left, Object Removed	
	Face Detection&Face Attribute Recognition	Detect and capture faces, get real-time snapshots; The attributes include Age, Gender, Glasses, Mask and Cap; Support Faces Privacy Mode, the detected faces in the face detection area will be mosaic automatically.	
	Object Counting & Report	Count the number of objects crossing the line, optionally human and vehicle, Support regional people counting for up to 4 detection areas	
System	Storage	Support microSD/SDHC/SDXC Card Local Storage, up to 1TB	
	Advanced Function	Heat Map, BLC, HLC, 2D DNR, 3D DNR, Defog AWB, IP Address Filtering, AGC, Anti-flicker, Corridor Mode, Deblur, Watermark	
	SIP/VoIP Support	Yes, Voice & Video-over-IP	
	Event Trigger	Motion Detection, Network Disconnection, External Input, Audio Alarm, etc.	
	Event Action	FTP Upload, SMTP Upload, SD Card Record, External Output, SIP Phone, HTTP Notification, etc	
	System Compatibility	ONVIF Profile G & M & S & T, API	
General	Working Temperature	-40°C~60°C -60°C~60°C (Optional for Heater Version)	
	Working Humidity	0~95%(Non-condensing)	
	Power Supply	PoE (802.3at) / DC 12V±10%	
	Power Consumption	8W MAX	9W MAX
		13W MAX (With IR on)	13W MAX (With IR on)
		10W Max (With Heater on) Heater on: below 10°C, Heater off: above 25°C	
	Surge Protection	4KV	
	Weather Proof	Up to IP67-rated for Weather-resistant Performance	
	Housing	Vandal-proof IK10-rated Metal Housing	
	Weight	1447g	1445.8g
Dimensions	320mmX134mmX126mm		
Warranty	3/5 Years		

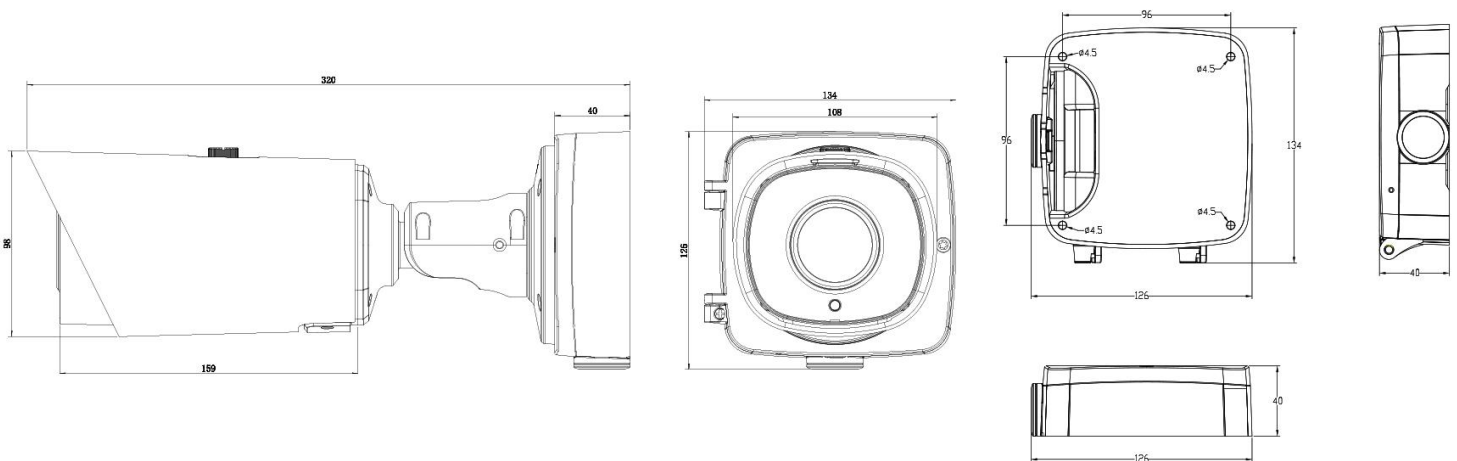
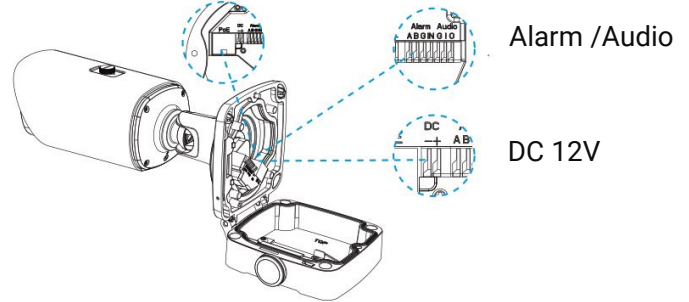


Structure Diagrams

microSD/SDHC/SDXC Card Slot



Ethernet Port(PoE)



Units: mm

Accessories Support

A62 Junction Box

Weight: 510g

Dimensions: 134*126*40mm



A01 Pole Mount

Weight: 720g

Dimensions: 170*51.5*152.6mm



A03 External Corner Bracket

Weight: 900g

Dimensions: 170*152.5*76.3mm

