

Milesight

AI Motorized Pro Dome Network Camera

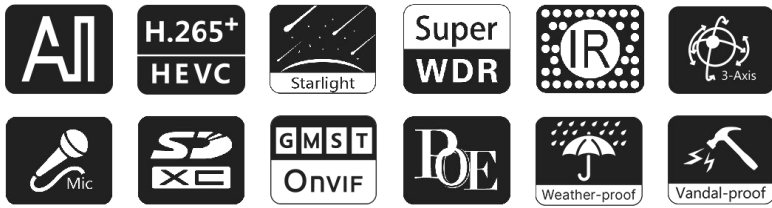
NDAA 

IP67 + IK10

Motorized Lens



DATASHEET



- ▶ NDAA Compliance (The fully NDAA-compliant products are well suited for government, defense and a range of projects subject to the NDAA.)
- ▶ Smart IR II (Combining the High Beam and Low Beam to adjust IR intensity to fit different lighting conditions.)
- ▶ 140dB Super WDR (Excellent performance even when the ratio of the luminosity of brightest and darkest is up to 140dB.)
- ▶ Advanced Functions (Boasting to support various advanced functions such as HLC, ROI.)
- ▶ SIP (Session Initiation Protocol. Providing audio/alarm/intercom and video streaming for mobile phones and video phones.)
- ▶ 1TB (Supporting ultra-large external microSD/SDHC/SDXC card storage up to 1TB.)
- ▶ Smart Stream (Bandwidth, storage and bit rate are saved with Smart Stream On, eg, H.265+ saves 70%~80% bandwidth that of H.264.)

AI Video Analytics

- 8 intelligent VCA modes powered by AI engine, which can intelligently filter objects to focus on human and vehicle detection.
- Object Counting(Human & Vehicle) technology provides high accuracy and real-time data based on AI algorithm with statistic reports.
- Face Detection function detects human faces in the monitoring scene and captures the snapshots, which greatly enhances the monitoring efficiency.



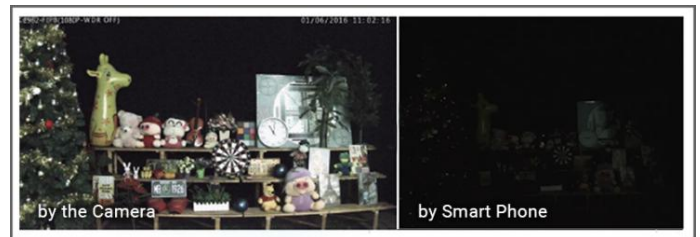
30fps@4K

Providing 4K HD resolution with frame rate of 30fps, the camera performs well in catching detailed image regardless of the moving speed.



0.002Lux Ultra Low-light

The starlight camera is able to deliver high detailed color images even in low light environment reaching 0.002Lux(Color) or 0Lux(B/W), and near infrared light environments without any supplementary lighting.



Integrated Cable Management Bracket

Aiming to reduce the installation troubles to the least, the clamshell design is creatively introduced to the dome base. This revolutionary innovation enlarges the space to make cable connection a piece of cake, greatly saving efforts for installers.



AI Motorized Pro Dome Network Camera



	Model	MS-C2972-R(T)F(I)PE (2MP)	MS-C4472-RF(I)PE (4MP)
Camera	Image Sensor	1/2.8" Progressive Scan CMOS	1/1.8" Progressive Scan CMOS
	Min. Illumination	Color: 0.005Lux@F1.4 B/W: 0Lux with IR on	Color: 0.002Lux@F1.4 B/W: 0Lux with IR on
	WDR	140dB Super WDR	
	Shutter Time	1/100000s~1s	
	DORI Distance	D: 50~153m O: 20~60 R: 10~30m I: 5~15m(2.7~13.5mm) D: 129~305m O: 51~120m R: 25.5~60m I: 13~30m(7~22mm)	D: 67.5~151m O: 26.5~59 R: 13~30m I: 15~6.5m
	IR Distance	Up to 50m(3.0~10.5mm/2.7~13.5mm)	Up to 50m
	Day/Night Mode	Day/Night/Auto/Customize/Schedule	
	S/N	>55dB	
Lens	Lens	Motorized 2.7~13.5mm/3.0~10.5mm/7~22mm@F1.4 P-Iris(Optional)	Motorized 3.6~10mm@F1.4 P-Iris(Optional)
	Field of View	H115°~H34°/D135°~D39° /V62°~V19° (2.7~13.5mm) H93°~H33°/D107°~D38° /V52°~V18° (3.0~10.5m) H40°~H16°/D46°~D19° /V23°~V9° (7~22mm)	H96°~H42°/D111°~D48°/V55°~V23°
	Mount	Φ14	
	Focus Control	Auto/Manual	
	Iris Control (Optional for I Series)	Auto/Manual	
Video	Max. Image Resolution	1920x1080	2688x1520
	Primary Stream	60Hz: 90fps@(1920x1080)(Optional for T Series) , 60fps@(1920x1080, 1280x960, 1280x720, 704x576) 50Hz: 90fps@(1920x1080)(Optional for T Series) , 50fps@(1920x1080, 1280x960, 1280x720, 704x576)	60Hz: 60fps@(2688x1520, 2304x1296, 1920x1080, 1280x720) 50Hz: 50fps@(2688x1520, 2304x1296, 1920x1080, 1280x720)
	Secondary Stream	60Hz: 60fps@(704x576, 640x480, 640x360, 352x288, 320x240) 50Hz: 50fps@(704x576, 640x480, 640x360, 352x288, 320x240)	
	Tertiary Stream	60Hz: 30fps@(1920x1080, 1280x720, 704x576, 640x480, 640x360, 320x240) 50Hz: 25fps@(1920x1080, 1280x720, 704x576, 640x480, 640x360, 320x240)	60Hz: 30fps@(1280x720, 704x576, 640x480, 640x360, 320x240), 60Hz: 15fps@(1920x1080) 50Hz: 25fps@(1280x720, 704x576, 640x480, 640x360, 320x240), 50Hz: 15fps@(1920x1080)
	Video Compression	H.265+/H.265(HEVC)/H.264+/H.264/MJPEG	
	Video Bit Rate	16Kbps~16Mbps(CBR/VBR Adjustable)	
Image	Privacy Masking	Up to 8 Areas (Mask Area and Mosaic Area are optional)	
	ROI	Up to 8 areas	
	Image Setting	Brightness/Contrast/Saturation/Sharpness	

AI Motorized Pro Dome Network Camera



Image	Image Enhancement	BLC, HLC, 2D DNR, 3D DNR, AGC, Defog, AWB, Deblur, Anti-flicker, Corridor Mode, LDC(Unsupported for 3~10.5mm Lens)	BLC, HLC, 2D DNR, 3D DNR, AGC, Defog, AWB, Deblur, Anti-flicker, Corridor Mode, LDC
Interface	Ethernet	1*RJ45 10M/100M Ethernet Port	
	Audio I/O	Built-in Microphone and 1 Audio Output interface	
	Alarm I/O	1/1	
Network	Network Storage	NAS(Support NFS, SMB/CIFS), ANR	
	Protocol	IPv4/IPv6, ARP, TCP, UDP, RTCP, RTP, RTSP, RTMP, HTTP, HTTPS, DNS, DDNS, DHCP, FTP, NTP, SMTP, SNMP, UPnP, Bonjour, SIP, PPPoE, VLAN, 802.1x, QoS, IGMP, ICMP, SSL,TLS 1.2	
Audio	Audio Compression	G.711/AAC/G.722/G.726	
	Audio Sampling Rate	8/16/32/44.1/48KHz	
	Audio Bit Rate	16~256kbps	
Intelligent Analytics	Video Analysis	VCA 2.0: Intrusion Detection, Region Entrance, Region Exiting, Advanced Motion Detection, Line Crossing, Loitering, Object Left, Object Removed	
	Attribute Extraction	Simultaneously detect up to 50 targets and capture humans and vehicles in real time. Recognize attributes including Upper and Lower Clothing Color, Hat, and Vehicle Types (Bicycle, Car, Motorcycle, Bus, Truck, E-scooter).	
	Face Detection&Face Attribute Recognition	Detect and capture faces, get real-time snapshots; The attributes include Age, Gender, Glasses, Mask and Cap; Support Faces Privacy Mode, the detected faces in the face detection area will be mosaic automatically.	
	Object Counting & Report	Count the number of objects crossing the line, optionally human and vehicle, Support regional people counting for up to 4 detection areas	
	Heat Map	The built-in statistical behavior analysis enables you to identify the busiest areas within the environment	
Event	Basic Event	Motion Detection, Tamper Detection, Network Disconnection, Audio Alarm, External Input, etc.	
	Exception	Network Disconnection, IP Address Filtering, Record Failed, SD Card Full, SD Card Uninitialized, SD Card Error, No SD Card, Watermark	
	Event Action	FTP Upload, SMTP Upload, SD Card Record, External Output, SIP Phone, HTTP Notification, etc.	
System	Storage	Support microSD/SDHC/SDXC Card Local Storage, up to 1TB	
	SIP/VoIP Support	Yes, Voice & Video-over-IP	
	System Compatibility	ONVIF Profile G & M & S & T, API	
General	Working Temperature	-40°C~60°C	
	Working Humidity	0~95%(Non-condensing)	
	Power Supply	PoE (802.3af) / DC 12V±10%	
	Power Consumption	Min.: 8W (DC 12V), 3.7W(PoE) Max.: 7W (DC 12V), 8.5W(PoE)	Min.: 4W (DC 12V), 5W(PoE) Max.: 6.2W (DC 12V), 7.6W(PoE)

AI Motorized Pro Dome Network Camera



General	Weight	1100g
	Dimensions	Φ143mmX108.4mm
	Warranty	3/5 Years
Certifications	EMC	CE-EMC (EN 55032, EN 55035), FCC (PART 15B)
	Safety	CE-LVD (EN IEC 62368-1)
	Environment	CE-ROHS (Directive (EU) 2015/863 amending 2011/65/EU)
	Protection	IP67, IK10

AI Motorized Pro Dome Network Camera



	Model	MS-C5372-F(I)PE (5MP)	MS-C6772-F(I)PE (6MP)
Camera	Image Sensor	1/2.8" Progressive Scan CMOS	1/2.4" Progressive Scan CMOS
	Min. Illumination	Color: 0.008Lux@F1.4, B/W: 0Lux with IR on	Color: 0.005Lux@F1.6, B/W: 0Lux with IR on
	WDR	120dB Super WDR	
	Shutter Time	1/100000s~1s	
	DORI Distance	D: 67~204m O: 26.5~80.5m R: 13~40.5m I: 6.5~20m(2.7~13.5mm) D: 172~407m O: 68~160m R: 34~80m I: 17~40m(7~22mm)	D: 78.5~219m O: 31~86m R: 15.5~43m I: 8~21.5m
	IR Distance	Up to 50m(3.0~10.5mm/2.7~13.5mm) Up to 90m(7~22mm)	Up to 50m
	Day/Night Mode	Day/Night/Auto/Customize/Schedule	
	S/N	>55dB	
Lens	Lens	Motorized 2.7~13.5mm/3.0~10.5mm/7~22mm@F1.4 P-Iris(Optional)	Motorized 2.7-13.5mm@F1.6 P-Iris(Optional)
	Field of View	H89°~H30°/D111°~D37° /V66°~V22° (2.7~13.5mm) H90°~H31°/ D114°~D38° / V67°~V23°(3.0~10.5mm) H37°~H15°/D47°~D19° /V28°~V11° (7~22mm)	H112°~H38°/D129°~D44° /V61°~V22°
	Mount	Φ14	
	Focus Control	Auto/Manual	
	Iris Control (Optional for I Series)	Auto/Manual	
Video	Max. Image Resolution	2592x1944	3200x1800
	Primary Stream	60Hz: 30fps@(2592x1944, 2592x1520), 45fps@(2048x1536), 60fps@(1920x1080, 1280x960, 1280x720) 50Hz: 25fps@(2592x1944, 2592x1520), 45fps@(2048x1536), 50fps@(1920x1080, 1280x960, 1280x720)	60Hz: 30fps@(3200x1800, 2560x1440, 1920x1080, 1280x720) 50Hz: 25fps@(3200x1800, 2560x1440, 1920x1080, 1280x720)
	Secondary Stream	60Hz: 30fps@(704x576, 640x480, 640x360, 352x288, 320x240) 50Hz: 25fps@(704x576, 640x480, 640x360, 352x288, 320x240)	60Hz: 30fps@(1280x720, 640x480, 640x360) 50Hz:25fps@(1280x720, 640x480, 640x360)
	Tertiary Stream	60Hz: 30fps@(2048x1536, 1920x1080, 1600x1200, 1280x720, 704x576, 640x480, 640x360, 320x240) 50Hz: 25fps@(2048x1536, 1920x1080, 1600x1200, 1280x720, 704x576, 640x480, 640x360, 320x240)	60Hz: 30fps(1280x720, 640x480, 640x360) 50Hz: 25fps(1280x720, 640x480, 640x360)
	Video Compression	H.265*/H.265(HEVC)/H.264*/H.264/MJPEG	
	Video Bit Rate	16Kbps~16Mbps(CBR/VBR Adjustable)	
Image	Privacy Masking	Up to 8 Areas (Mask Area and Mosaic Area are optional)	
	ROI	Up to 8 areas	

AI Motorized Pro Dome Network Camera



Image	Image Setting	Brightness/Contrast/Saturation/Sharpness	
	Image Enhancement	BLC, HLC, 2D DNR, 3D DNR, AGC, Defog, AWB, Deblur, Anti-flicker, Corridor Mode, LDC	
Interface	Ethernet	1*RJ45 10M/100M Ethernet Port	
	Audio I/O	Built-in Microphone and 1 Audio Output interface	
	Alarm I/O	1/1	
Network	Network Storage	NAS(Support NFS, SMB/CIFS), ANR	
	Protocol	IPv4/IPv6, ARP, TCP, UDP, RTCP, RTP, RTSP, RTMP, HTTP, HTTPS, DNS, DDNS, DHCP, FTP, NTP, SMTP, SNMP, UPnP, Bonjour, SIP, PPPoE, VLAN, 802.1x, QoS, IGMP, ICMP, SSL,TLS 1.2	
Audio	Audio Compression	G.711/AAC/G.722/G.726	
	Audio Sampling Rate	8/16/32/44.1/48KHz	
	Audio Bit Rate	16~256kbps	
Intelligent Analytics	Video Analysis	VCA 2.0: Intrusion Detection, Region Entrance, Region Exiting, Advanced Motion Detection, Line Crossing, Loitering, Object Left, Object Removed	
	Attribute Extraction	Simultaneously detect up to 50 targets and capture humans and vehicles in real time. Recognize attributes including Upper and Lower Clothing Color, Hat, and Vehicle Types (Bicycle, Car, Motorcycle, Bus, Truck, E-scooter).	
	Face Detection&Face Attribute Recognition	Detect and capture faces, get real-time snapshots; The attributes include Age, Gender, Glasses, Mask and Cap; Support Faces Privacy Mode, the detected faces in the face detection area will be mosaic automatically.	
	Object Counting & Report	Count the number of objects crossing the line, optionally human and vehicle, Support regional people counting for up to 4 detection areas	
	Heat Map	The built-in statistical behavior analysis enables you to identify the busiest areas within the environment	
Event	Basic Event	Motion Detection, Tamper Detection, Network Disconnection, External Input, Audio Alarm, etc.	
	Exception	Network Disconnection, IP Address Filtering, Record Failed, SD Card Full, SD Card Uninitialized, SD Card Error, No SD Card, Watermark	
	Event Action	FTP Upload, SMTP Upload, SD Card Record, External Output, SIP Phone, HTTP Notification, etc.	
System	Storage	Support microSD/SDHC/SDXC Card Local Storage, up to 1TB	
	SIP/VoIP Support	Yes, Voice & Video-over-IP	
	System Compatibility	ONVIF Profile G & M & S & T, API	
General	Working Temperature	-40℃~60℃	
	Working Humidity	0~95%(Non-condensing)	
	Power Supply	PoE (802.3af) / DC 12V±10%	
	Power Consumption	Min.: 3.1W (DC 12V), 4W(PoE)	Min.: 3.2W (DC 12V), 4W(PoE)
		Max.: 5.5W (DC 12V), 6.8W(PoE)	Max.: 5.6W (DC 12V), 7W(PoE)
	Weight	1100g	
	Dimensions	Φ143mmX108.4mm	
Warranty	3/5 Years		

AI Motorized Pro Dome Network Camera



Certifications

EMC	CE-EMC (EN 55032, EN 55035), FCC (PART 15B)
Safety	CE-LVD (EN IEC 62368-1)
Environment	CE-ROHS (Directive (EU) 2015/863 amending 2011/65/EU)
Protection	IP67, IK10

AI Motorized Pro Dome Network Camera

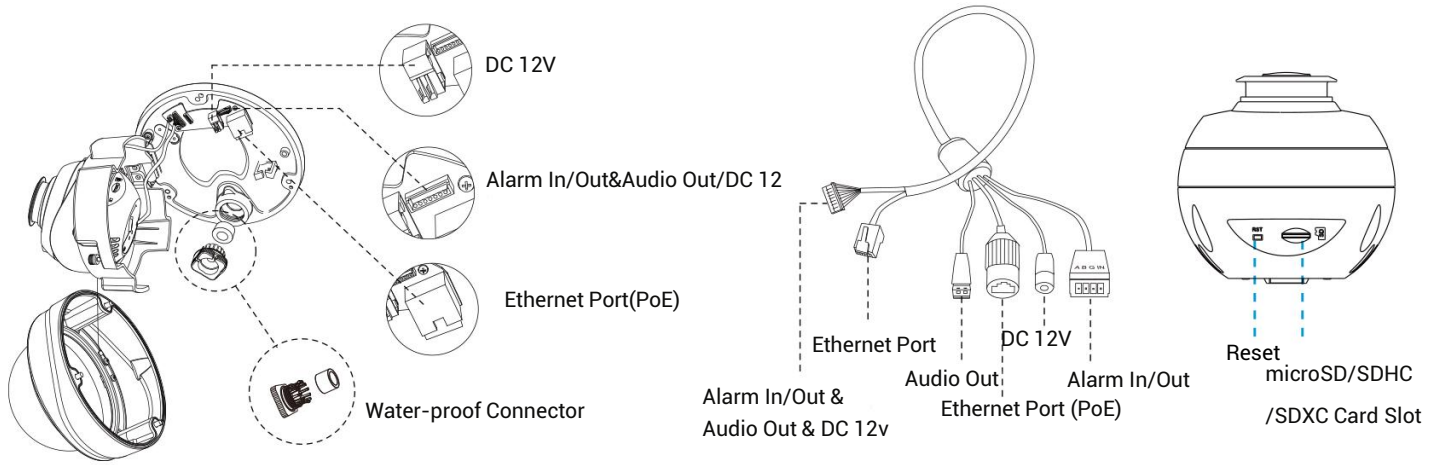


	Model	MS-C8172-F(I)PE (4K)	MS-C8272-F(I)PE (4K)
Camera	Image Sensor	1/2.8" Progressive Scan CMOS	1/1.8" Progressive Scan CMOS
	Min. Illumination	Color: 0.012Lux@F1.4 B/W: 0Lux with IR on	Color: 0.009Lux@F1.4 B/W: 0Lux with IR on
	WDR	120dB Super WDR	
	Shutter Time	1/100000s~1s	
	DORI Distance	D: 92~281m O: 36~111m R: 18~55m I: 9~28m	D: 96~214m O: 38~84m R: 19~42m I: 9.5~21m
	IR Distance	Up to 50m	
	Day/Night Mode	Day/Night/Auto/Customize/Schedule	
	S/N	>55dB	
Lens	Lens	Motorized 2.7~13.5mm@F1.4 P-Iris(Optional)	Motorized 3.6~10mm@F1.4 P-Iris(Optional)
	Field of View	H96°~H33°/D112°~D37°/V53°~V18°	H110°~H46°/D126°~D54°/V61°~V25°
	Mount	Φ14	
	Focus Control	Auto/Manual	
	Iris Control (Optional for I Series)	Auto/Manual	
Video	Max. Image Resolution	3840x2160	
	Primary Stream	60Hz: 30fps@(3840x2160, 3072x2048, 2592x1944, 2592x1520, 2048x1536, 1920x1080, 1280x960, 1280x720, 704x576) 50Hz: 25fps@(3840x2160, 3072x2048, 2592x1944, 2592x1520, 2048x1536, 1920x1080, 1280x960, 1280x720, 704x576)	
	Secondary Stream	60Hz: 30fps@(704x576, 640x480, 640x360, 352x288, 320x240) 50Hz: 25fps@(704x576, 640x480, 640x360, 352x288, 320x240)	
	Tertiary Stream	60Hz: 30fps@(1920x1080, 1280x720, 704x576, 640x480, 640x360, 352x288, 320x240) 50Hz: 25fps@(1920x1080, 1280x720, 704x576, 640x480, 640x360, 352x288, 320x240)	
	Video Compression	H.265*/H.265(HEVC)/H.264*/H.264/MJPEG	
	Video Bit Rate	16Kbps~16Mbps(CBR/VBR Adjustable)	
Image	Privacy Masking	Up to 8 Areas (Mask Area and Mosaic Area are optional)	
	ROI	Up to 8 areas	
	Image Setting	Brightness/Contrast/Saturation/Sharpness	
	Image Enhancement	BLC, HLC, 2D DNR, 3D DNR, AGC, Defog, AWB, Deblur, Anti-flicker, Corridor Mode, LDC	
Interface	Ethernet	1*RJ45 10M/100M Ethernet Port	
	Audio I/O	Built-in Microphone and 1 Audio Output interface	
	Alarm I/O	1/1	
Network	Network Storage	NAS(Support NFS, SMB/CIFS), ANR	

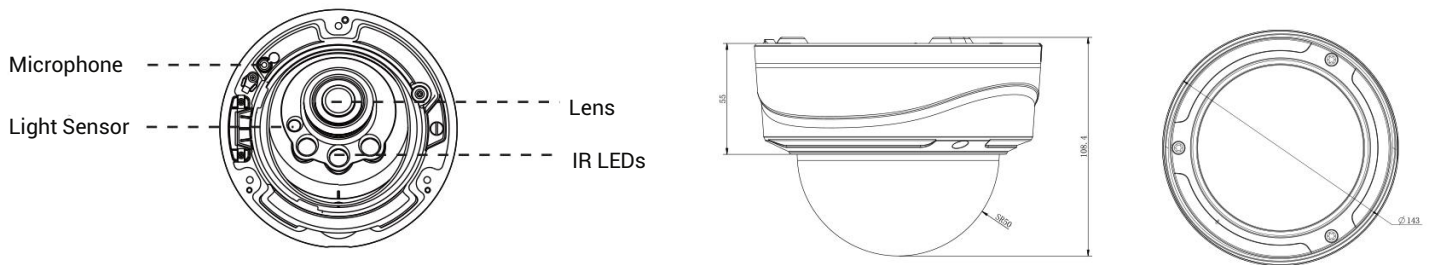


Network	Protocol	IPv4/IPv6, ARP, TCP, UDP, RTCP, RTP, RTSP, RTMP, HTTP, HTTPS, DNS, DDNS, DHCP, FTP, NTP, SMTP, SNMP, UPnP, Bonjour, SIP, PPPoE, VLAN, 802.1x, QoS, IGMP, ICMP, SSL/TLS 1.2
Audio	Audio Compression	G.711/AAC/G.722/G.726
	Audio Sampling Rate	8/16/32/44.1/48KHz
	Audio Bit Rate	16~256kbps
Intelligent Analytics	Video Analysis	VCA 2.0: Intrusion Detection, Region Entrance, Region Exiting, Advanced Motion Detection, Line Crossing, Loitering, Object Left, Object Removed Simultaneously detect up to 50 targets and capture humans and vehicles in real time.
	Attribute Extraction	Recognize attributes including Upper and Lower Clothing Color, Hat, and Vehicle Types (Bicycle, Car, Motorcycle, Bus, Truck, E-scooter).
	Face Detection&Face Attribute Recognition	Detect and capture faces, get real-time snapshots; The attributes include Age, Gender, Glasses, Mask and Cap; Support Faces Privacy Mode, the detected faces in the face detection area will be mosaic automatically.
	Object Counting & Report	Count the number of objects crossing the line, optionally human and vehicle, Support regional people counting for up to 4 detection areas
	Heat Map	The built-in statistical behavior analysis enables you to identify the busiest areas within the environment
Event	Basic Event	Motion Detection, Tamper Detection, Network Disconnection, Audio Alarm, External Input, etc.
	Exception	Network Disconnection, IP Address Filtering, Record Failed, SD Card Full, SD Card Uninitialized, SD Card Error, No SD Card, Watermark
	Event Action	FTP Upload, SMTP Upload, SD Card Record, External Output, SIP Phone, HTTP Notification, etc.
System	Storage	Support microSD/SDHC/SDXC Card Local Storage, up to 1TB
	SIP/VoIP Support	Yes, Voice & Video-over-IP
	System Compatibility	ONVIF Profile G & M & S & T, API
General	Working Temperature	-40℃~60℃
	Working Humidity	0~95%(Non-condensing)
	Power Supply	PoE (802.3af) / DC 12V±10%
	Power Consumption	Min.: 4.1W (DC 12V), 5.3W(PoE) Min.: 4W (DC 12V), 5W(PoE) Max.: 6.7W (DC 12V), 8.1W(PoE) Max.: 6.5W (DC 12V), 8W(PoE)
	Weight	1100g
	Dimensions	Φ143mmX108.4mm
	Warranty	3/5 Years
Certifications	EMC	CE-EMC (EN 55032, EN 55035), FCC (PART 15B)
	Safety	CE-LVD (EN IEC 62368-1)
	Environment	CE-ROHS (Directive (EU) 2015/863 amending 2011/65/EU)
	Protection	IP67, IK10

AI Motorized Pro Dome Network Camera



Note: The cable is connected with the interface board by default.



A02 V2 Pole Mount
Weight: 1kg
Dimensions: 180*136*46mm



A03 External Corner Bracket
Weight: 900g
Dimensions: 170*152.5*76.3mm



A72 V2 Wall Mount
Weight: 575g
Dimensions: 145*133*242mm



AC-72 Smoked Dome Cover
Weight: 39g
Dimension: $\Phi 100 \times 56$ mm



A75 Junction Box
Weight: 200g
Dimensions: 145*167*33.5mm



A76 Pendant Mount
Weight: 620g
Dimensions: $\Phi 145 \times L$



(L is default as 290mm, also can be extended with A42-L)

A42-L Extension Lever
Weight: 330g
Dimensions: $\Phi 55 \times 300$ mm



A78 Recessed Mount
Weight: 715g
Dimensions: 256*256*94mm

