



AI 5-inch 25X Speed Dome Network Camera



Key Features

- ! **Video:** 5MP @ 30fps for smooth, high-resolution imaging.
- ! **Image Quality:** 1/2.8" sensor, 120dB Super WDR, and 120m IR distance for bright, backlight, low-light & night scenes.
- ! **Low Power Consumption:** As low as 3W (daytime) / 7W (day and night) with one-click low-power mode for longer mobile surveillance uptime, plus real-time power and battery status display for easy management.
- ! **AI Analytics:** Powered by VCA 2.0 & MSense for smarter security detection and vertical applications.
- ! **PTZ Control:** Features 360° endless pan, -10° to 90° tilt, and 25X optical zoom. Millisecond fast focus ensures seamless adjustments during monitoring and zoom. Industry-leading PT control with automatic deviation correction reduces drift and maintains accurate camera positioning.
- ! **Interface:** 2/2 alarm I/O, 1/1 audio I/O, RS485, PoE (802.3at) & DC12V to meet diverse needs.
- ! **Protection:** IP66, heated glass for defog, and -40°C to 70°C operation for harsh environments.
- ! **Installation:** Compact, lightweight design for faster, easier outdoor deployment.



AI 5-inch 25X Speed Dome Network Camera



Camera	Model	MS-C5342-X25RPG1
	Image Sensor	1/2.8" Progressive Scan CMOS
	Min. Illumination	Color: 0.008Lux@F1.5, B/W: 0Lux with IR on
	WDR	120dB Super WDR
	Shutter Time	1/100000s~ 1s
	Day/Night Mode	Day/Night/Auto/Customize/Schedule
	S/N	>55dB

Lens	Lens	4.8~120mm, 25X Optical Zoom
	Optical Zoom	25X
	Digital Zoom	8X
	Zoom Speed	Approx 5.8s
	Field of View	H52.9°~H2.7°/D66°~D3.3°/V39.8°~V2.0°
	Focus Control	Auto/Semi-Auto/Manual
	Aperture	F1.5~F3.5
	Iris Type	Auto/Manual

Illuminator	IR Wave Length	850nm
	IR Distance	Up to 120m

PTZ	Pan Range / Pan Speed	360° endless/ Pan Manual Speed: 0.1°~ 80°/s, Pan Preset Speed: 80°/s
	Tilt Range / Tilt Speed	-10°~ 90°(Auto Flip)/ Tilt Manual Speed: 0.1°~ 80°/s, Tilt Preset Speed: 80°/s
	Preset Quantity	300
	Preset Freezing	Support
	Patrol	8 Patrols, up to 48 presets each patrol
	Pattern	4 Patterns
	PTZ Status Display	Support
	Power Off Memory	Support
	Scheduled Task	Auto Scan, Preset, Patrol, Pattern, Self Check, Tilt Scan, Panorama Scan
	PT Auto-Correction	Supports gyroscope detection and self-calibration based on schedules and Patrol times.
	Other Function	3D Positioning, Auto Tracking, PTZ Limits, Initial Position

Video	Max. Image Resolution	2592×1944 (4:3)
--------------	-----------------------	-----------------

AI 5-inch 25X Speed Dome Network Camera



	Primary Stream	60Hz: 30fps@(2592×1944, 2592×1520, 2048×1536, 1920×1080, 1280×960, 1280×720) 50Hz: 25fps@(2592×1944, 2592×1520, 2048×1536, 1920×1080, 1280×960, 1280×720)
	Secondary Stream	60Hz: 30fps@(704×576, 640×480, 640×360) 50Hz: 25fps@(704×576, 640×480, 640×360)
	Tertiary Stream	60Hz: 30fps@(2048×1536, 1920×1080, 1600×1200, 1280×720, 704×576, 640×480, 640×360) 50Hz: 25fps@(2048×1536, 1920×1080, 1600×1200, 1280×720, 704×576, 640×480, 640×360)
	Quaternary Stream	60Hz: 30fps@(1920×1080, 704×576, 640×480, 640×360) 50Hz: 25fps@(1920×1080, 704×576, 640×480, 640×360)
	Video Compression	H.265+/H.265(HEVC)/H.264+/H.264/MJPEG
	Video Bit Rate	16Kbps~16Mbps (CBR/VBR Adjustable)

Image	Privacy Masking	Up to 8 Areas (Mask Area and Mosaic Area are optional)
	ROI	Up to 8 areas
	Image Setting	Saturation/Brightness/Contrast/Sharpness
	Defog	Digital defog
	Image Stabilization	EIS (enhanced by gyroscope to improve performance)
	Image Enhancement	BLC, HLC, 2D DNR, 3D DNR, AGC, AWB, Deblur, Anti-flicker, Corridor Mode, LDC
	Regional Exposure	Support
	Regional Focus	Support

Network	Network Storage	NAS(Support NFS, SMB/CIFS), ANR
	Protocol	IPv4/IPv6, ARP, TCP, UDP, RTP, SRTP, RTSP, RTSPS, RTMP, HTTP, HTTPS, DNS, DDNS, DHCP, FTP, NTP, SMTP, SNMP, UPnP, Bonjour, LLDP, SIP, VPN, PPPoE, VLAN, 802.1x, QoS, IGMP, ICMP, SSL, TLS 1.2

Interface	Ethernet	1 RJ45 10M/100M Ethernet Port
	Alarm I/O	2 inputs, 2 outputs
	Audio I/O	1 input, 1 output
	RS485	1 × RS485, half duplex, protocols: Pelco-P, Pelco-D, MS-Solar Power (proprietary)

Audio	Audio Compression	G.711-ULaw/G.711-ALaw/AAC LC/G.722/G.726
	Audio Sampling Rate	G.711-ULaw/G.711-ALaw/AAC LC: 8/16/32/44.1/48KHz G.722 16KHz / G.726: 8KHz
	Audio Bit Rate	16~256kbps

Intelligent Analytics	Video Analysis	VCA 2.0: Intrusion Detection, Region Entrance, Region Exiting, Advanced Motion Detection, Line Crossing, Loitering, Object Left, Object Removed
------------------------------	----------------	---

AI 5-inch 25X Speed Dome Network Camera



	Attribute Extraction	Supports simultaneous detection of up to 50 targets; real-time capture of humans and vehicles. Recognizes attributes: upper/lower clothing color, hat, vehicle type (bicycle, car, motorcycle, bus, truck, e-scooter).
	Face Detection & Face Attribute Recognition	Supports real-time face detection and snapshot. Recognizes face attributes: age, gender, glasses, mask, cap.
	Object Counting & Report	Supports line crossing counting for humans and vehicles; regional people counting for up to 4 areas.
	Hard Hat Detection	Supports detection of safety hat usage; alarm trigger for non-compliance.
	Privacy Protection	Supports automatic mosaic overlay for faces and human bodies. Supported on main/sub stream; compatible with H.265/H.264.
	Fall Detection	Supports detection of human falls; alarm trigger.
	Violence Detection	Supports detection of violent behavior; alarm trigger.

Event	One-Click Disarm	Support
	Basic Event	Motion Detection, Tamper Detection, Audio Alarm, External Input, External Output etc.
	Exception	Network Disconnection, IP Address Conflict, Record Failed, SD Card Full, SD Card Uninitialized, SD Card Error, No SD Card, etc.
	Event Action	FTP Upload Record, Snapshot, SMTP Upload Record, SD Card Record, External Output, Play Audio, SIP Phone, HTTP Notification, etc.

System	On-board Storage	Support Micro SD/SDHC/SDXC Card Local Storage, up to 1TB
	Reset Button	Support
	Watermark	Support
	SIP/VoIP Support	Yes, Voice & Video-over-IP
	System Compatibility	ONVIF Profile G & M & S & T, Milesight API
	Power Meter	Supports display of real-time, average, max power, and supply type. Supports power usage reports (30-min, 1h, 1d, 1 week, monthly).
	Battery System	Battery status display and alarm (requires Milesight Solar Power System)
	GPS	Support

General	Working Temperature	-40°C to 70°C (-40°F to 158°F)
	Working Humidity	0~95% RH (Non-condensing)
	Power Supply	PoE(802.3at) Class4 / DC12V±30%
	Power Consumption	Min.: 3.46W (DC), 4.2W (PoE+) Max.: 18.49W (DC), 21W (PoE+), IR on, PTZ working, lens heating on 24 Hour Average: 6.68W (DC), 7.75W (PoE+)
	Net Weight	3.1 kg (6.83 lb)
	Gross Weight	4.4 kg (9.7 lb)

AI 5-inch 25X Speed Dome Network Camera

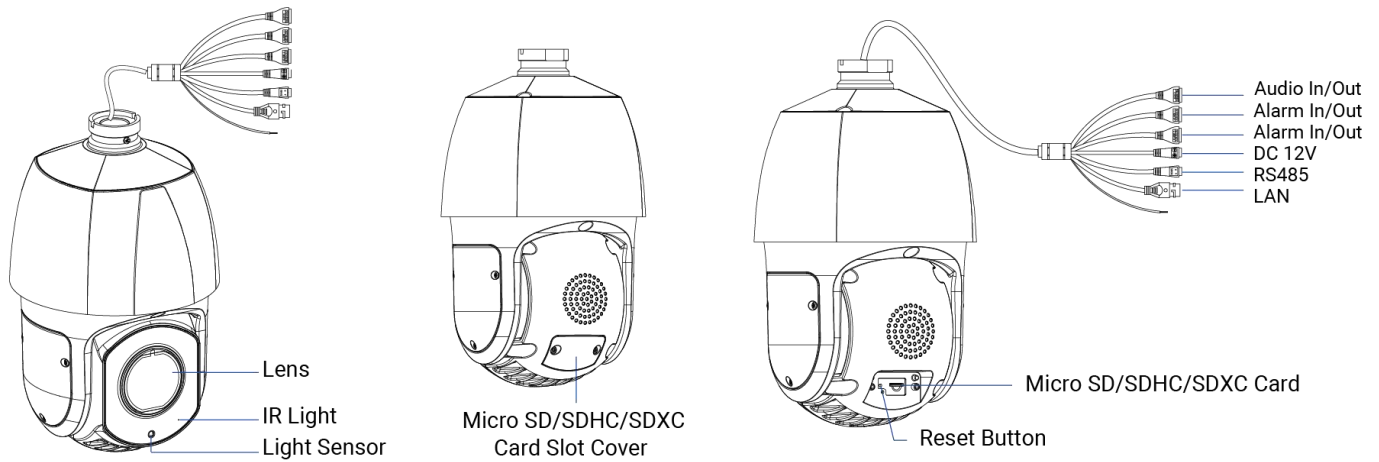


	Heating	Built-in heating glass for effective defog, max 1.4W
	Dimensions	Ø 173 mm × 285 mm
	Warranty	2 Years/3 Years(Optional)

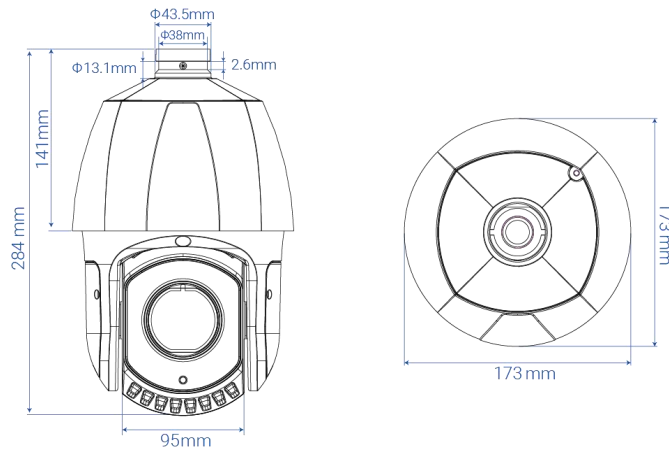
Certifications	EMC	CE-EMC(EN IEC 61000-3-2:2019+A2:2024, EN 61000-3-3:2013+A2:2021+AC:2022-01, EN 55032:2015+A1:2020, EN 55035:2017+A11:2020) FCC 47 CFR Part 15 Subpart B
	Safety	CE-LVD (EN IEC 62368-1:2024 + A11:2024)
	Protection	IP66 (IEC 60529:2019) IK10 (IEC 62262:2021, optional)



Hardware Overview



Dimensions



Accessories Support

