

Entrance & Exit Supplement Light AI LPR Pro Bullet Plus

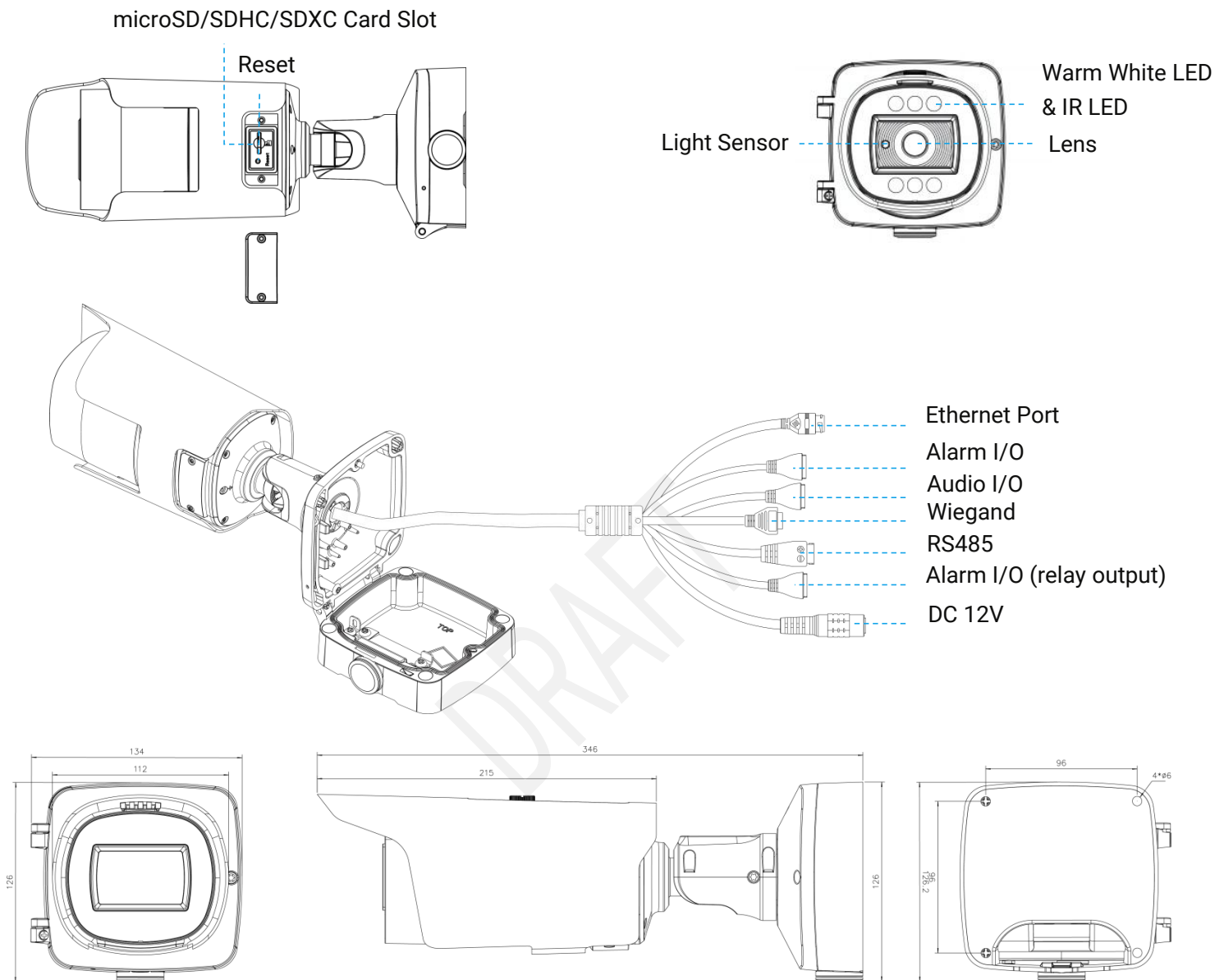
	Model	NC8266-RFILHPG1 (8MP)
Camera	Image Sensor	1/1.8" Progressive Scan CMOS
	Min. Illumination	Color: 0.001Lux@F1.2 B/W: 0Lux with IR on
	Shutter Time	1/100000s~1s
	Day/Night Mode	Day/Night/Auto/Schedule
	S/N	>55dB
	Lens	Lens
Field of View		H114°~H45°/ D116°~D51°/ V57°~V25°
Mount		Φ14
P-Iris		Support
Focus Control		Auto/Manual
Entrance & Exit Management	Max. Vehicle Speed	60km/h
	Capture Rate	99%
	Recognition Accuracy	98%
	Coverage	2 lanes
	Country/Region Supported	More than 80 countries and regions
	ANPR Distance	Up to 20m
	Attributes Identification	Plate Color, Vehicle Type, Vehicle Color, Vehicle Brand, No-plate Vehicle Capture, Vehicle Direction Detection * Vehicle Color and Plate Color identification are not supported under IR conditions.
	Smart Traffic Function	Evidence Camera Linkage
	White/Black List	Up to 100,000 records inside the camera
	LPR Smart Search	Support
Illuminator	Supplement Light	Warm White LED & IR LED
	IR Wave Length (For IR LED Light)	850nm
	Light Bead	6×Warm White LED & IR LED
	Illumination Distance	Up to 20 m
	Light Control	Auto/ IR Mode/ Color Mode
Interface	Ethernet	1*RJ45 10M/100M Ethernet Port
	Audio I/O	1/1
	Alarm Input	2
	Alarm Output	2 (1 relay output; 1 open collector output, max. 12V DC/10mA)
	Wiegand <small>Access Control System</small>	1
	RS485	1

Entrance & Exit Supplement Light AI LPR Pro Bullet Plus

Video	Max. Image Resolution	3840x2160
	Primary Stream	60Hz: 60fps@(3840x2160, 3072x2048, 2592x1944, 2592x1520, 2048x1536, 1920x1080, 1280x960, 1280x720) 50Hz: 50fps@(3840x2160, 3072x2048, 2592x1944, 2592x1520, 2048x1536, 1920x1080, 1280x960, 1280x720)
	Secondary Stream	60Hz: 60fps@(704x576, 640x480, 640x360, 352x288, 320x240) 50Hz: 50fps@(704x576, 640x480, 640x360, 352x288, 320x240)
	Tertiary Stream	60Hz: 30fps@(1920x1080, 1280x720, 704x576, 640x480, 640x360, 352x288, 320x240) 50Hz: 25fps@(1920x1080, 1280x720, 704x576, 640x480, 640x360, 352x288, 320x240)
	Video Compression	H.265+/H.265(HEVC)/H.264+/H.264/MJPEG
	Video Bit Rate	16Kbps~16Mbps(CBR/VBR Adjustable)
	Privacy Masking	Up to 8 Areas (Mask Area and Mosaic Area are optional)
	ROI	Up to 8 areas
	Image Setting	Brightness/Contrast/Sharpness
Network	Network Storage	NAS(Support NFS, SMB/CIFS), ANR
	Protocol	IPv4/IPv6, ARP, TCP, UDP, RTCP, RTP, RTSP, RTMP, HTTP, HTTPS, DNS, DDNS, DHCP, FTP, NTP, SMTP, SNMP, UPnP, Bonjour, SIP, PPPoE, VLAN, 802.1x, QoS, IGMP, ICMP, SSL
Audio	Audio Compression	G.711/AAC/G.722/G.726
	Audio Sampling Rate	8/16/32/44.1/48KHz
	Audio Bit Rate	16~256kbps
	Two-way Audio	Support
System	System Compatibility	API, MQTT, HTTP, TCP, ONVIF Profile G & M & S & T
	Storage	microSD/SDHC/SDXC Card Local Storage, up to 1TB
	Advanced Function	BLC, HLC, 2D DNR, 3D DNR, Defog, AWB, IP Address Filtering, AGC, EIS, Anti-flicker, Corridor Mode, Deblur, Watermark
	SIP/VoIP Support	Yes, Voice & Video-over-IP
	Event Trigger	Black/White List, Motion Detection, Network Disconnection, External Input, Audio Alarm, etc.
	Event Action	FTP Upload, SMTP Upload, SD Card Record, External Output, SIP Phone, HTTP Notification, etc.
General	Working Temperature	-40°C~60°C
	Working Humidity	0~95%(Non-condensing)
	Power Supply	PoE (802.3at) / DC 12V ± 10%
	Power Consumption	Max.: 20.4W
	Weather Proof	Up to IP67-rated for Weather-resistant Performance
	Weight	1300g
	Dimensions	346mmX134mmX126mm
	Warranty	3 Years (5 Years Optional)
Certifications	EMC	CE-EMC (EN 55032, EN 55035)
	Safety	CE-LVD (EN IEC 62368-1)

Entrance & Exit Supplement Light AI LPR Pro Bullet Plus

Structure Diagrams



Accessories Support

A02 V2 Pole Mount

Weight: 1kg

Dimensions: 180*136*46mm



A03 External Corner Bracket

Weight: 900g

Dimensions: 170*152.5*76.3mm

