

AI Road Traffic Supplement Light Pro Bullet Plus Camera



[DATASHEET](#)



KEY FEATURES

- ▶ Superior Image Quality (Starlight Sensor, Smart IR II Technology, 4K Video Viewing Experience and high frame rate are supported for an excellent image quality.)
- ▶ Evidence Camera Linkage (Link with any regular cameras to capture the overview snapshots as evidence.)
- ▶ LPR Smart Search (Relevant videos can be found quickly by searching for only a portion of the target suspect vehicle's features, such as vehicle type & color, plate color, plate number and etc.)
- ▶ Traffic Flow Statistics (The vehicle counting result based on vehicle type, vehicle make and various vehicle features can be shown intuitively in camera's live view and the camera can also generate useful report insights to aid in improved decision-making.)

Traffic Violation Detection

AI-based road traffic cameras accurately detect and alert violation events such as No-plate Vehicle Detection, Specific Lane Detection, Speeding Detection, Reverse Driving Detection, Black/White List Detection and Vehicle Event Detection based on recognized vehicle features.



Intelligent AI-powered LPR Algorithm

The AI Road Traffic Supplement Light Pro Bullet Plus Camera can not only recognize vehicle plates in real time, but also identify more vehicle features, like vehicle type, color, etc., generating reliable traffic insights to improve safety and mobility.



Traffic Flow Statistics

Traffic flow statistics greatly enhance traffic management capabilities. The vehicle counting result based on vehicle type, vehicle make and various vehicle features can be shown intuitively in camera's live view and the camera can also generate useful report insights to aid in improved decision-making.



Integrated Supplement Light

Integrated with supplement light of IR LED Light or White LED Light, AI Road Traffic Supplement Light Pro Bullet Plus Camera could turn on and off the supplement light, and change the luminance of the supplement lighting automatically, achieving a flexible way for the monitoring control.



AI Road Traffic Supplement Light Pro Bullet Plus Camera



| | Name | TS4466-X4RWE /W (4MP) | TS4466-X4RWE /R (4MP) | TS8266-X4WE /W (4K) | TS8266-X4WE /R (4K) |
|--------------------------------|---------------------------|--|-----------------------------|--|---------------------------|
| Camera | Image Sensor | 1/1.8" Progressive Scan CMOS | | 1/1.8" Progressive Scan CMOS | |
| | Min. Illumination | Color: 0.002Lux@F1.6 B/W: 0Lux with IR on | | Color: 0.009Lux@F1.6 B/W: 0Lux with IR on | |
| | WDR | 140dB Super WDR | | 120dB Super WDR | |
| | Shutter Time | 1/100000s~1s | | | |
| | Day/Night Mode | Day/Night/Auto/Customize/Schedule | | | |
| | S/N | >55dB | | | |
| Lens | Lens | 8~32mm, 4X Optical Zoom | | | |
| | Field of View | H44°~H13°/D51°~D15°/V25°~V7° | | | |
| | Mount | Φ14 | | | |
| | Focus Control | Auto/Manual | | | |
| | Aperture | F1.6-F1.7 | | | |
| | Iris Control | Auto | | | |
| Road Traffic Management | Max. Vehicle Speed | 200km/h | | | |
| | Recognition Accuracy | >95% | | | |
| | Coverage | 2 lanes | | | |
| | Country Region Supported | More than 80 countries and regions | | | |
| | Illumination Distance | Up to 70m during the day; Up to 45m during the night with illumination | | | |
| | Attributes Identification | Plate Color, Vehicle Type, Vehicle Color, Vehicle Brand, No-plate Vehicle Capture, Vehicle Direction Detection | | | |
| | Smart Traffic Function | Evidence Camera Linkage, Specific Lane Management | | | |
| | White/Black List | Up to 20000 records inside the camera | | | |
| | LPR Smart Search | Support | | | |
| Illuminator | Supplement Light | White LED Light | IR LED Light | White LED Light | IR LED Light |
| | Light Bead | 6 (For White LED Light) | 9 (For IR LED Light) | 6 (For White LED Light) | 9 (For IR LED Light) |
| | Light Control | Auto/Always On/Off/Customize | | | |
| Interface | Ethernet | 1*RJ45 10M/100M Ethernet Port | | | |
| | Audio I/O | 1/1 | | | |
| | Alarm I/O | 2/2 | | | |
| | Wiegand | Standard Wiegand 26-bit | | | |
| Video | Max. Image Resolution | 2688x1520 | | 3840x2160 | |
| | Primary Stream | 60Hz: 60fps@(2688x1520, 2304x1296, 1920x1080, 1280x720) 50Hz: 50fps@(2688x1520, 2304x1296, 1920x1080, 1280x720) | | 60Hz: 30fps@(3840x2160, 3072x2048, 2592x1944, 2592x1520, 2048x1536, 1920x1080, 1280x960, 1280x720, 704x576) 50Hz: 25fps@(3840x2160, 3072x2048, 2592x1944, 2592x1520, 2048x1536, 1920x1080, 1280x960, 1280x720, 704x576) | |

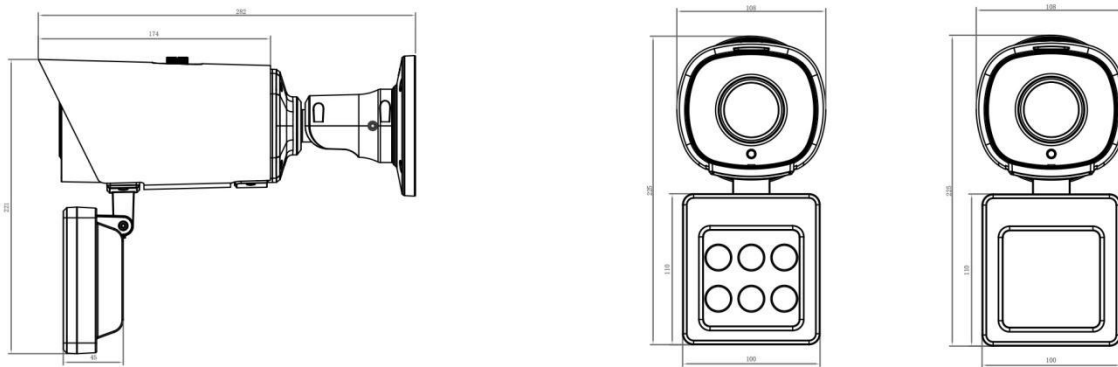
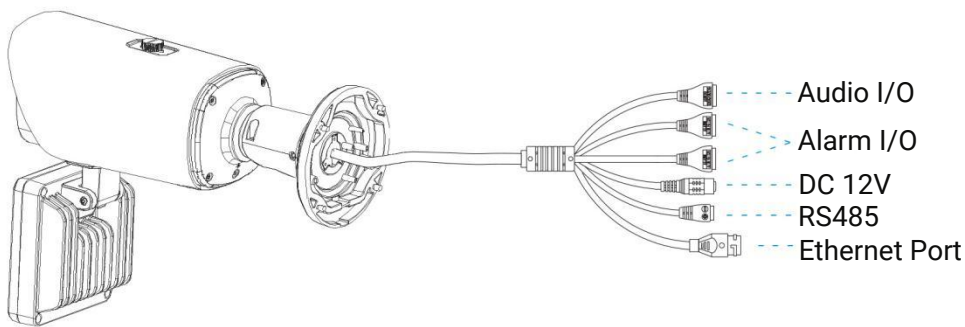
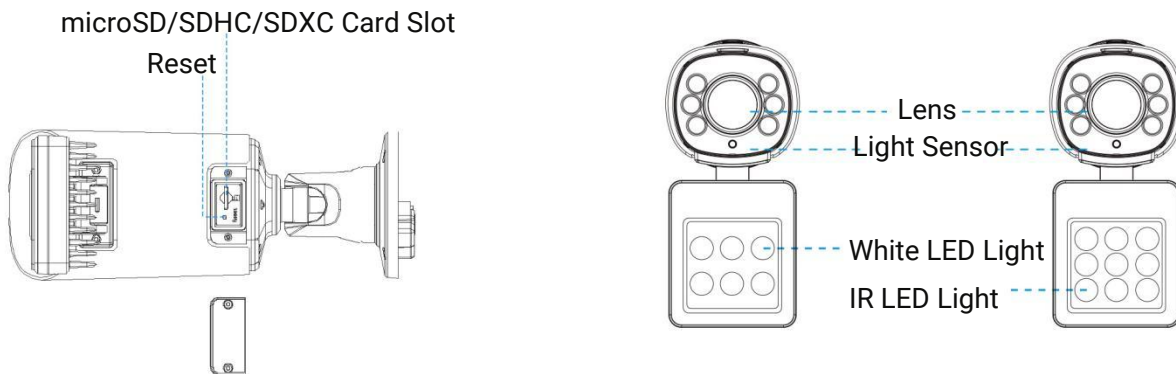
AI Road Traffic Supplement Light Pro Bullet Plus Camera



| | | | | | |
|----------------|----------------------|--|--|---|--------------------------------------|
| Video | Secondary Stream | 60Hz: 60fps@(704x576, 640x480, 640x360, 352x288, 320x240) 50Hz: 50fps@(704x576, 640x480, 640x360, 352x288, 320x240) | | | |
| | Tertiary Stream | 60Hz: 30fps@(1280x720, 704x576, 640x480, 640x360, 320x240) 50Hz: 25fps@(1280x720, 704x576, 640x480, 640x360, 320x240) | 60Hz: 30fps@(1920x1080, 1280x720, 704x576, 640x480, 640x360, 320x240) 50Hz: 25fps@(1920x1080, 1280x720, 704x576, 640x480, 640x360, 320x240) | | |
| | Video Compression | H.265+/H.265(HEVC)/H.264+/H.264/MJPEG | | | |
| | Video Bit Rate | 16Kbps~16Mbps(CBR/VBR Adjustable) | | | |
| | Privacy Masking | Up to 8 Areas (Mask Area and Mosaic Area are optional) | | | |
| | ROI | Up to 8 areas | | | |
| | Image Setting | Brightness/Contrast/Saturation/Sharpness | | | |
| Network | Network Storage | NAS(Support NFS, SMB/CIFS), ANR | | | |
| | Protocol | IPv4/IPv6, ARP, TCP, UDP, RTCP, RTP, RTSP, RTMP, HTTP, HTTPS, DNS, DDNS, DHCP, FTP, NTP, SMTP, SNMP, UPnP, Bonjour, SIP, PPPoE, VLAN, 802.1x, QoS, IGMP, ICMP, SSL | | | |
| Audio | Audio Compression | G.711/AAC/G.722/G.726 | | | |
| | Audio Sampling Rate | 8/16/32/44.1/48KHz | | | |
| | Audio Bit Rate | 16~256kbps | | | |
| | Two-way Audio | Support | | | |
| System | System Compatibility | API, HTTP, TCP, Wiegand Protocol, ONVIF Profile G & S & T | | | |
| | Storage | Support microSD/SDHC/SDXC Card Local Storage, up to 1TB | | | |
| | Advanced Function | BLC, HLC, 2D DNR, 3D DNR, Defog, AWB, IP Address Filtering, AGC, Anti-flicker, Corridor Mode, Deblur, Watermark | | | |
| | SIP/VoIP Support | Yes, Voice & Video-over-IP | | | |
| | Event Trigger | Black/White List, Attributes Event, Motion Detection, Network Disconnection, External Input, Audio Alarm, etc. | | | |
| | Event Action | FTP Upload, SMTP Upload, SD Card Record, External Output, SIP Phone, HTTP Notification, etc | | | |
| General | Working Temperature | -40°C~60°C | | | |
| | Working Humidity | 5~90%(Non-condensing) | | | |
| | Power Supply | DC 12V / 3A ± 10% (Non-PoE) | | | |
| | Power Consumption | 4W MAX 28W MAX (For White LED Light) | 4W MAX 28W MAX (For IR LED Light) | 5W MAX 31W MAX (For White LED Light) | 5W MAX 31W MAX (For IR LED Light) |
| | Surge Protection | 4KV | | | |
| | Weather Proof | Up to IP67-rated for Weather-resistant Performance | | | |
| | Housing | Vandal-proof IK10-rated Metal Housing (Without Supplement Light) | | | |
| | Surge Protection | 4KV | | | |
| | Weight | 1445.8g 2100g (With Supplement Light) | | | |
| | Dimensions | 282mmX108mmX120mm 282mmX108mmX225mm (With Supplement Light) | | | |
| | Warranty | 3/5 Years | | | |



Structure Diagrams



Units: mm

Accessories Support

A62 Junction Box

Weight: 510g

Dimensions: 134*126*40mm



A01 Pole Mount

Weight: 720g

Dimensions: 170*51.5*152.6mm



A03 External Corner Bracket

Weight: 900g

Dimensions: 170*152.5*76.3mm

