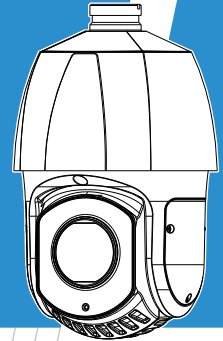


# QUICK START GUIDE

AI 5-inch 25X Speed Dome  
Network Camera



User Manual



Smart Tools

## Limited Warranty Protection

**24 months** from original purchase date against all manufacturing defects.

This Warranty does not cover:

- Loss or damage to the equipment due to improper maintenance, or failure to follow operating instructions.
- If defects or damages are caused by the use of unauthorized parts or by service by other than our authorized agent.

Model:

Date of Purchase:

Serial Number:

MAC Address:

Dealer Stamp

For details, please visit our website:

[www.milesight.com/security](http://www.milesight.com/security)

## Table of Contents

1. Package Contents.....	2
2. Hardware Overview.....	3
3. Dimensions .....	4
4. Installation Steps.....	4
5. How to Connect to Alarm Interface.....	10
6. How to Connect the Waterproof Connector.....	10
7. Assigning an IP Address by Using Smart Tools.....	11
8. Assigning an IP Address via Browser.....	12
9. Accessing from the Web Browser.....	12
10. FCC Statement.....	13

## 1. Package Contents



AI 5-inch 25X Speed Dome Network Camera x 1



L-shaped Wrench x 1



Waterproof Connector x 1



M4 x 6mm Screw x 1

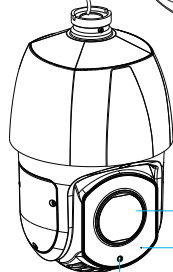
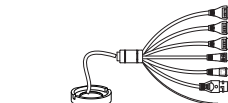


Anti-drop Cable x 1

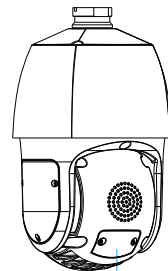


Quick Start Guide x 1

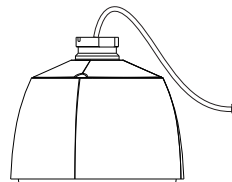
## 2. Hardware Overview



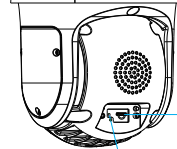
Lens  
IR Light  
Light Sensor



Micro SD/SDHC/SDXC Card Slot Cover

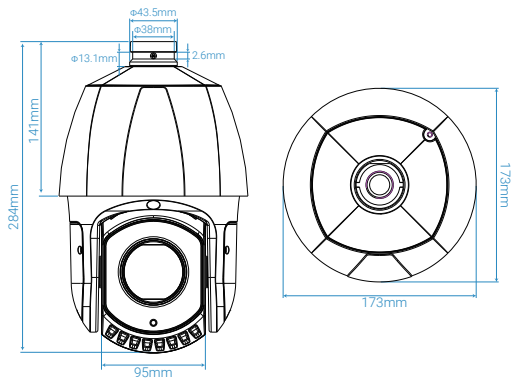


Audio In/Out  
Alarm In/Out  
Alarm In/Out  
DC 12V  
RS485  
LAN



Micro SD/SDHC/SDXC Card  
Reset Button

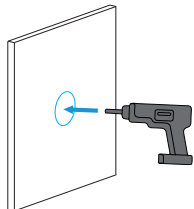
### 3. Dimensions



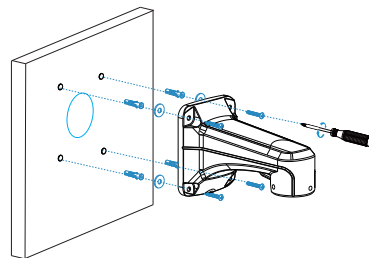
### 4. Installation Steps

#### Wall Mount Installation (A41)

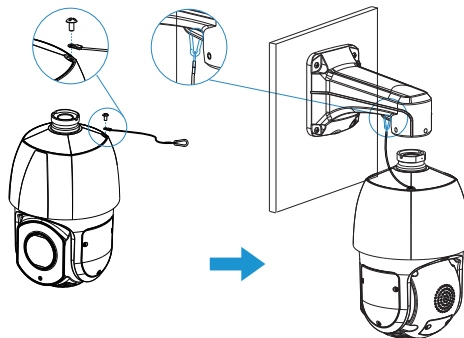
**Step1:** Use a hole cutter to drill a cable routing hole on the wall.



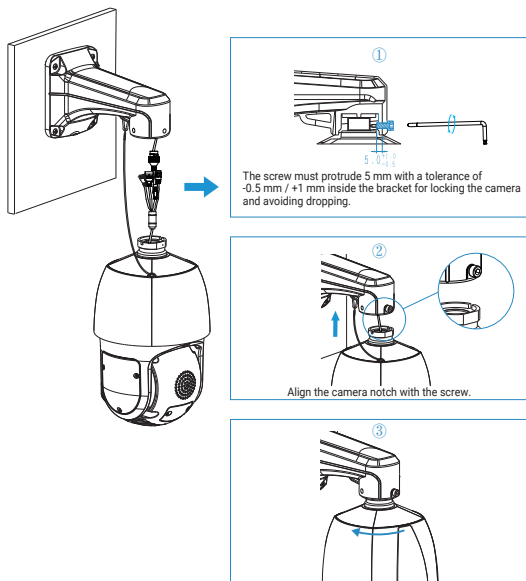
**Step2:** Secure the bracket to the designated camera mounting position with plastic expansion anchors, flat washers, and screws in order.



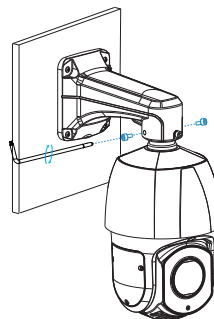
**Step3:** Secure the anti-drop cable to the camera using a screw, and hook its snap hook onto the inner side of the bracket to secure the camera before mounting.



**Step4:** Route and connect all cables first. Then install one screw on the front of the bracket. Align the camera notch with the screw, snap it on, and rotate the camera to your desired position.



**Step5:** Tighten the two screws on both sides of the bracket to lock the camera firmly in place.

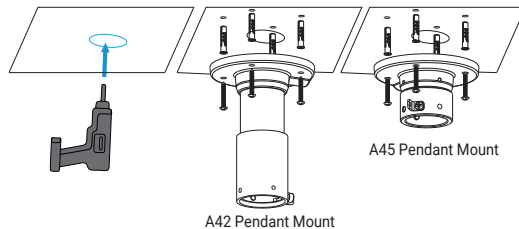


**Note:** These screws are included in the A41 accessory package.

#### Pendant Mount Installation (A42 or A45)

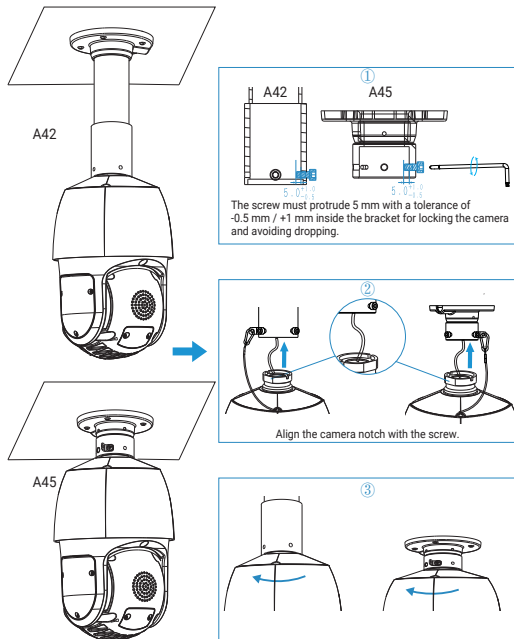
**Step1:** Use a hole cutter to drill a cable routing hole on the wall.

**Step2:** Secure the bracket to the designated camera mounting position with plastic expansion anchors and screws in order.

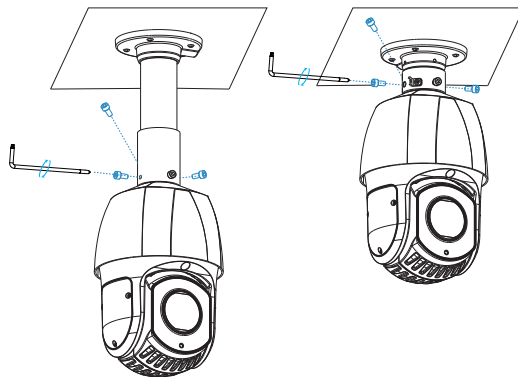


**Step3:** Hook the snap hook of the anti-drop cable onto the inner side of the bracket to secure the camera. (Refer to Step 3 of Wall Mount Installation).

**Step4:** Route and connect all cables first. Then install one screw on the front of the bracket. Align the camera notch with the screw, snap it on, and rotate the camera to your desired position.

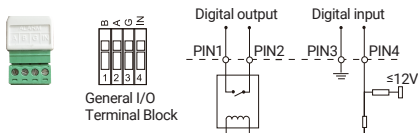


**Step5:** Tighten the other three screws to lock the camera firmly in place.



**Note:** These screws are included in the A42/A45 accessory package.

## 5. How to Connect to Alarm Interface



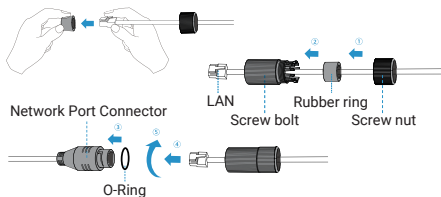
**PIN1:** Alarm Output NC/NO 24V DC 1A

**PIN2:** Alarm Output NC/NO 24V DC 1A

**PIN3:** Alarm Input NC/NO  $\leq 12V$

**PIN4:** Alarm Input NC/NO  $\leq 12V$

## 6. How to Connect the Waterproof Connector



**Step 1:** Get the network cable through the screw nut, rubber ring and the screw bolt;

**Step 2:** Insert the rubber ring into the screw bolt;

**Step 3:** Connect the screw nut to the screw bolt;

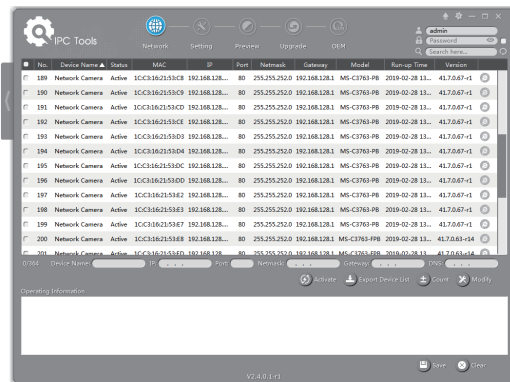
**Step 4:** Place the O-Ring on the network port connector;

**Step 5:** Connect the RJ45 to the network port connector, tighten the screw bolt and the connector.

**Note:** Please wrap all cable interfaces tightly with adhesive tape to prevent water ingress.

## 7. Assigning an IP Address by Using Smart Tools

Smart Tools is software that automatically detects multiple Milesight network cameras online in the LAN, configures their IP addresses, and manages firmware upgrades. It is recommended for assigning IP addresses to multiple cameras.



The procedure to change the IP address of cameras is as follows:

- (1) Start Smart Tools and open the IPC Tools page. The software will then automatically display all Milesight network cameras detected on the same network.
- (2) Select one or more cameras according to the MAC addresses.
- (3) Click **Activate** to set a password when using the camera for the first time. Then configure three security questions. (If you forget the password, you can reset it by answering the security questions correctly.)
- (4) Enter your configured username and password, modify the IP address or other network parameters, and click **Modify**.
- (5) Double-click the selected camera or its browser icon to access the camera directly via the web browser.

For more information on using Smart Tools, please refer to the *Smart Tools User Manual*.

## 8. Assigning an IP Address via Browser

If the PC and the camera are on different network segments, please add an IP address in the 192.168.5.xx (255.255.255.0) range to your PC to access the cameras.

## 9. Accessing from the Web Browser

The camera is compatible with most standard operating systems and web browsers. Recommended browsers include Internet Explorer, Firefox, Chrome, and Safari. For details on how to install plugins, you can visit <https://support.milesight.com>, and enter **Plugin-Free Mode & Mplayer Plugin** in the search box. You can also scan the QR code below for more information.



## 10. FCC Statement

Any changes or modifications not expressly approved by the party responsible for compliance could void the user's authority to operate the equipment. This device complies with part 15 of the FCC Rules. Operation is subject to the following two conditions:

- (1) This device may not cause harmful interference, and
- (2) This device must accept any interference received, including interference that may cause undesired operation.

**Note:** This equipment has been tested and found to comply with the limits for a Class B digital device, pursuant to part 15 of the FCC Rules. These limits are designed to provide reasonable protection against harmful interference in a residential installation. This equipment generates, uses and can radiate radio frequency energy and, if not installed and used in accordance with the instructions, may cause harmful interference to radio communications. However, there is no guarantee that interference will not occur in a particular installation. If this equipment does cause harmful interference to radio or television reception, which can be determined by turning the equipment off and on, the user is encouraged to try to correct the interference by one or more of the following measures:

- Reorient or relocate the receiving antenna.
- Increase the separation between the equipment and receiver.
- Connect the equipment into an outlet on a circuit different from that to which the receiver is connected.
- Consult the dealer or an experienced radio/TV technician for help.

### FCC Radiation Exposure Statement:

This equipment complies with FCC radiation exposure limits set forth for an uncontrolled environment. This equipment should be installed and operated with minimum distance 20cm between the radiator& your body. This transmitter must not be co-located or operating in conjunction with any other antenna or transmitter.